

PRELIMINARY

**WD1002-05 / HDO
Winchester / Floppy Disk
Controller
OEM Manual**

Document No.: 61-031050-0030

WESTERN DIGITAL
C O R P O R A T I O N

2445 McCabe Way
Irvine, California 92714
(714) 863-0102
TWX 910-595-1139

July 1983



TABLE OF CONTENTS

SECTION 1	INTRODUCTION	
1.1	Description	1-1
1.1.1	On-Board Processing and Control Devices	1-1
1.1.2	Communications Between Host and WD1002-05	1-2
1.2	Specifications	1-3
1.2.1	Performance	1-3
1.2.2	Physical	1-3
1.2.3	Environmental	1-3
SECTION 2	INTERFACE CONNECTORS	
2.1	Organization	2-1
2.2	Host Interface Connector Signals	2-1
2.3	40-Pin Host Interface Connector	2-1
2.4	Winchester Drive Control Signals	2-1
2.5	5.25" Winchester 34-Pin Drive Control Connector	2-2
2.6	Winchester Drive Data Connector	2-2
2.7	Power Connector	2-3
2.8	Floppy Drive Signals	2-3
2.9	5.25" Floppy 34-Pin Drive Control Connector	2-4
SECTION 3	INTERFACE TIMING	
3.1	Host Interface Timing	3-1
3.1.1	Host Task File Read Timing	3-1
3.1.2	Host Task File Write Timing	3-1
3.1.3	Host Sector Buffer Read Timing	3-2
3.1.4	Host Sector Buffer Read Timing (Long Mode)	3-3
3.1.5	Host Sector Buffer Write Timing	3-4
3.1.6	Host Sector Buffer Write Timing (Long Mode)	3-4
3.2	Miscellaneous Timing	3-5
SECTION 4	HOST INTERFACING	
4.1	General	4-1
4.2	Host Interface Example	4-1
SECTION 5	TASK FILE	
5.1	Task File Basics	5-1
5.2	Data Register	5-1
5.3	WD1002-05 Error Register	5-1
5.4	Diagnostic Errors	5-2
5.5	Write Precomp	5-2
5.6	Sector Count	5-2
5.7	Sector Number	5-2
5.8	Cylinder Number	5-2
5.9	SDH Register	5-2
5.10	Status Register	5-3
5.11	Command Register	5-4

SECTION 6 COMMANDS

6.1	General	6-1
6.2	WD1002-05 Command Summary	6-1
6.2.1	Stepping Rates	6-1
6.3	Type I Commands	6-2
6.3.1	Test Command	6-2
6.3.2	Restore	6-2
6.3.3	Seek	6-2
6.4	Type II Commands	6-2
6.4.1	Read Sector	6-2
6.4.1.1	Readlong Command	6-2
6.4.1.2	DMA Read	6-3
6.4.1.3	Normal Completion	6-3
6.5	Type III Commands	6-3
6.5.1	Write Sector	6-3
6.5.1.1	Writelong Command	6-3
6.5.2	Format Track	6-3

SECTION 7 PROGRAMMING

7.1	General	7-1
7.2	Setting Up Task Files	7-1
7.2.1	Cylinders and Tracks	7-1
7.3	Type I Command Programming	7-1
7.3.1	Use of Busy Bit	7-1
7.3.2	Use of Interrupts	7-2
7.3.3	Use of Error Bit	7-2
7.3.4	Use of Corrected Bit	7-2
7.4	Type II Command Programming	7-2
7.4.1	DMA Mode	7-2
7.4.2	Block Moves	7-2
7.4.3	Using DMA	7-3
7.4.4	Multiple Sector Transfers	7-3
7.4.4.1	Partial Sector Transfers	7-3
7.4.4.2	Interrupt Source Selection	7-3
7.4.4.3	Clearing Hardware DRQ	7-3
7.4.4.4	Interrupt Selection Circuit	7-3
7.4.5	Simulated Completions	7-4
7.5	Type III Command Programming	7-4
7.5.1	Formatting	7-4
7.5.2	Interleaving	7-5
7.6	Bad Block Mapping	7-5
7.6.1	Sector Pre-Allocation	7-5
7.6.2	Alternate Tracks	7-6
7.6.3	Spare Sectors	7-6
7.6.4	Bad Block Bit	7-6

SECTION 8 THEORY OF OPERATION

8.1 General 8-1
8.2 WD1002-05 Architecture and Functional Description 8-1
8.2.1 Host Interface Logic (HIL) 8-1
8.2.2 Control Processor (CP) 8-3
8.2.2.1 Clock Generator 8-3
8.2.2.2 Task/Syndrome File (TSF) 8-3
8.2.3 Error Detection and Support Logic (EDS) 8-3
8.2.3.1 Error Detection 8-3
8.2.3.2 Support Logic 8-4
8.2.4 Sector Buffer (SB) 8-4
8.2.5 Winchester Drive and Buffer Interface (WDBI) 8-4
8.2.5.1 Write Precompensation (WPC) 8-4
8.2.5.2 Data Separator 8-5
8.2.6 Floppy Drive and Buffer Interface (FDBI) 8-5

SECTION 9 MAINTENANCE

9.1 General 9-1
9.2 Oscillator Frequency 9-1
9.3 WD2797 Adjustment Procedure 9-1
9.4 Test/Operation Jumper Variations 9-1

APPENDIX A DISK DRIVE EXAMPLES

A.1 Introduction A-1
A.2 Polled Status Driver A-1
A.2.1 Initialization A-2
A.2.2 Read Sector A-2
A.2.3 Write Sector A-3
A.2.4 Task File Updating A-4
A.3 Interrupt Driven Driver A-4
A.3.1 Initialization A-5
A.3.2 Read Sector A-6
A.3.3 Write Sector A-6
A.3.4 Task File Updating A-7
A.3.5 Interrupt Service Routine A-8

APPENDIX B INTERLEAVE CALCULATING

APPENDIX C CALCULATING SECTORS PER TRACK

APPENDIX D PROGRAMMERS QUICK REFERENCE

D.1 Task File D-1
D.2 Valid Commands D-1
D.3 SDH Register Format D-1
D.4 Status and Error Register Bits D-2

APPENDIX E LSI DATA SHEETS (to be supplied)

APPENDIX F SCHEMATICS AND ASSEMBLY DIAGRAMS

APPENDIX G BILL OF MATERIALS (to be supplied)

LIST OF TABLES

TABLE	TITLE	PAGE
2-1	Host Interface Connector Pin Description	2-1
2-2	Winchester Drive Control Connector Pin Description	2-2
2-3	Winchester Drive Data Connector Pin Description	2-3
2-4	Power Connector Pin Description	2-3
2-5	Floppy Drive Control Connector Pin Description	2-4
3-1	Host Task File Read Timing	3-1
3-2	Host Task File Write Timing	3-1
3-3	Host Sector Buffer Read Timing (Normal Mode)	3-2
3-4	Host Sector Buffer Read Timing (Long Mode)	3-3
3-5	Host Sector Buffer Write Timing (Normal Mode)	3-4
3-6	Host Sector Buffer Write Timing (Long Mode)	3-5
3-7	Miscellaneous Timing	3-5
5-1	Task File Register Array	5-1
5-2	Error Register Bits	5-1
5-3	SDH Register	5-3
5-4	SDH Bits 6 & 5	5-3
5-5	SDH Bits 4 & 3	5-3
5-6	SDH Bits 2, 1 & 0 Hard Disk	5-3
5-7	SDH Bits 2, 1 & 0 Floppy Disk	5-3
5-8	Status Register Bits	5-3
6-1	Command Types	6-1
6-2	r3-r0 — Stepping Rates	6-1
7-1	File Read On 4-Head, 2-Platter Disk Drive	7-1
7-2	Interleave Table with 32 Sectors and 4:1 Interleave	7-5
7-3	Interleave Table with 32 Sectors and 4:1 Interleave-Physical Sector Five Mapped Out	7-6
7-4	Interleave Table with Redundant Sectors, No Interleave, and All Sectors Marked as Bad Blocks	7-6

LIST OF ILLUSTRATIONS

TABLE	TITLE	PAGE
1-1	WD1002-05 Simplified Data/Command Flow Block Diagram	1-2
3-1	Host Task File Read Timing	3-1
3-2	Host Task File Write Timing	3-2
3-3	Host Sector Buffer Read Timing: Prog I/O	3-2
3-4	Host Sector Buffer Read Timing: DMA Mode	3-3
3-5	Host Sector Buffer Read Timing (Long Mode)	3-3
3-6	Host Sector Buffer Write Timing (Normal Mode)	3-4
3-7	Host Sector Buffer Write Timing (Long Mode)	3-5
3-8	Miscellaneous Timing	3-6
4-1	Host Interfacing Example	4-1
7-1	Interrupt Selection Circuit	7-4
8-1	WD1002-05/WD1002-HDO Functional Block Diagram	8-2

SECTION 1

INTRODUCTION

1.1 DESCRIPTION

The WD1002-05 Winchester/Floppy Disk Controller (WFC) is a stand-alone, general purpose board that allows a host processor to control up to three Winchester 5.25-in. disk drives and four floppy 5.25-in. disk drives. The following is a synopsis of the WD1002-05 features:

- User-selectable 5.25" Winchester or Floppy operation
- controls up to 3 Winchester and up to 4 Floppy drives
- Single +5V Power Supply
- 8-bit universal host interface
- On-Board data separation circuitry
- On-Board write precompensation for floppy and hard disks
- On-Board sector buffer supports up to 1K-byte sectors
- Programmable sector sizes — 128, 256, 512, or 1024 bytes
- Automatic track formatting on hard and floppy disks
- Multiple sector operations on all disks
- Data rates up to 5 Mbits/sec on hard disk
- Single burst error correction up to 5 bits on hard disk data
- CRC generation/verification for data and all I.D. fields
- Automatic retries on all errors with simulated completion
- ECC diagnostic commands included (READLONG & WRITELONG)
- WD1002-05 internal diagnostics
- 16 different stepping rates for both hard and floppy drives

The WD1002-HDO is a depopulated version of the WD1002-05. All Floppy drive control and associated circuitry has been deleted from the board, providing a Winchester Drive Controller board that will drive up to three 5¼" Winchester disk drives. All parameters, programming, and timing in this document that applied to Winchester Drive Control pertain to the WD1002-05 and the WD1002-HDO.

All buffers and driver/receivers needed for direct connection to the disk drives are furnished as part of the WD1002-05 circuitry. The logic for the WD1002-05's variable-length sector buffer, as well as logic necessary for error correction, data separation, and host

interface circuitry is also included. Winchester disk drive signals are based on the floppy disk, look-alike interface available with the Seagate Technology ST506 and other compatible drives.

I/O connections are made with standard ribbon cable connectors. The disk interface connectors have standard pinout configurations to allow direct pin-for-pin connection to the Winchester and Floppy disk drives. Power (+5 VDC) and ground for the WD1002-05 are furnished on a separate connector.

1.1.1 ON-BOARD PROCESSING AND CONTROL DEVICES

The WD1002-05 consists of a set of devices specifically designed for host dual control of Winchester and Floppy disk drives. The heart of the control logic is the Control Processor Buffer Manager (WD1015) that manages the on-board static RAM sector buffer (2048-word-by-8-bit). All bytes of data written to, and read from disk is first stored in this sector buffer. When the buffer is full, the data is transferred, on command, to its intended destination.

The WD1015, besides controlling data flow between host, sector buffer, and disk controllers, also translates the host Winchester command format to Floppy disk format when addressing the Floppy Disk Controller (WD2797). This permits the host to maintain a single command format (Winchester) while in effect controlling two different disk command formats (Winchester vs. Floppy). This is possible since the SDH register is used to select either type of drive.

The WD1015 maintains the current copies of necessary host command data in the task files; a set of registers physically located in the Winchester Disk Control device (WD1010) and the Error Detection and Support logic device (WD1014).

The WD1010 is the link between the host processor (via sector buffer) and the Winchester disk drives. During transfer of data from the host to the WD1010 the WD1014 computes a 4-byte ECC which is appended to the end of the data being transferred to the WD1010 and recorded on disk. During data transfers from the WD1010 to the host (via the sector buffer), the WD1015 uses the ECC syndrome to validate the data. Retries and corrections are attempted automatically in case of corrupted data.

The WD1015 performs error correction in conjunction with the WD1014 on data transferred to the disk. While the WD1015 controls the operation of the on-board error-correction logic, the WD1014 generates and checks the Error Correction Code (ECC) if SDH bit 7 = 0. Thus the WD1014 also provides the WD1015 its real-time control capability. Specifically,

the real-time function is provided for Winchester disk operation only (real-time function is not available for Floppy disk operation).

If CRC format Winchester disks are used, CRC is selected by the WD1010 by setting SDH7 = 0. CRC for the floppy disks is performed by the WD2797, a device that furnishes all control functions for floppy disk drives, including necessary data separation and write precompensation. SDH7 must be set to zero for floppy disk operation.

A simplified data flow and command flow block diagram is illustrated in Figure 1-1.

1.1.2 COMMUNICATIONS BETWEEN HOST AND WD1002-05

Two-way communications between the host processor and the WD1002-05 is via a parallel access port and an 8-bit, bi-directional bus. Appropriate control signals are used to transmit disk READ/WRITE data, status information, and macro commands over the data bus.

Communications between the host processor and the WD1002-05 uses eight data bus lines (DAL7-DAL0), a Card Select (CS), a Read Enable (RE), a Write Enable (WE), three address lines (A2-A0), a Master Reset (MR), a Data ReQuest (DRQ), and an INTerrupt ReQuest (INTRQ). (See SECTION 2 for a complete description of control signals.)

The Master Reset strobe (\overline{MR}) must be used to initialize the WD1002-05 on power-up. This always initiates the internal diagnostics of the WD1002-05 and no command may be processed until the BUSY bit is cleared (approx. 1-2 seconds).

To communicate with the WD1002-05, the host processor must first access a set of registers called the task files (see SECTION 5 for a description of the task file registers and SECTION 7 for programming information). All parameters necessary for a command to be executed are set into the task files. The task files tell the WD1002-05 what is to be done, i.e. sector size to be selected, disk drive selected and head or side desired, sector number, and any other information needed to execute the command.

After a command has been issued, the host can verify that the command has been executed either by polling the BUSY bit in the task file or by waiting for an interrupt request (See SECTION 6 for description of commands).

For all write operation commands, including format, the host must fill up the sector buffer no less than the sector size chosen, otherwise the WD1002-05 will not execute the command. The sector buffer need only contain the required valid data to execute the command while the rest of the bytes serve as fillers (especially for a format operation). Once the sector buffer is filled all communications with the host are

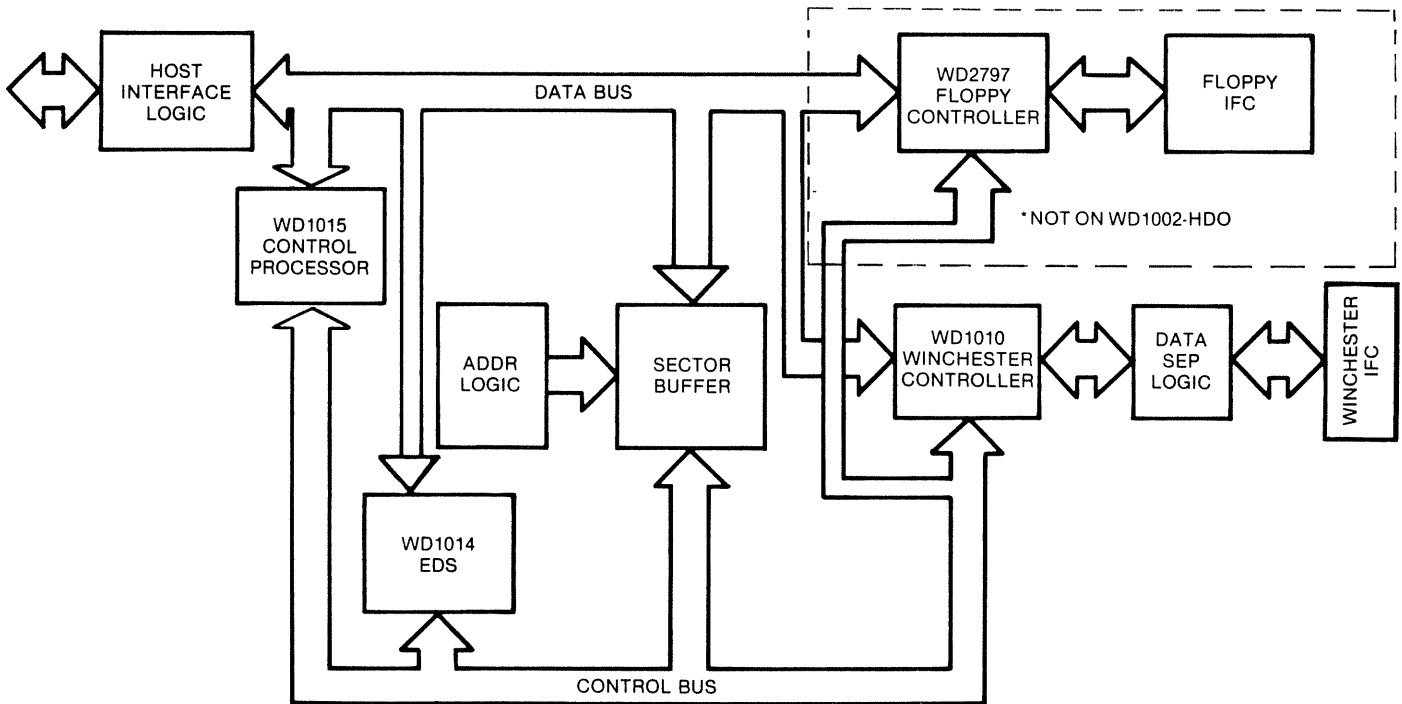


Figure 1-1. WD1002-05 Simplified Data/Command Flow Block Diagram

terminated.

Multiple transfer commands are handled one sector at a time. If the host wants to transfer ten sectors, the WD1002-05 sequentially accepts one sector of data at a time and processes it until all sectors have been transferred. At the completion of the multiple transfer, the interrupt request is set, and the BUSY bit is cleared.

The data request (DRQ) will always be set at the start of a write command, indicating that the sector buffer is available for sequentially inputting data. If the data request is set on a read command, it indicates that data requested by the host is in the sector buffer.

The interrupt request (INTRQ) is set after completion of a command. Status and error information may now be read by the host.

1.2 SPECIFICATIONS

1.2.1 PERFORMANCE

DRIVE PARAMETERS

Encoding method:
Cylinders:
Sectors per track:
Heads:
Drive selects:
Step rate:

WINCHESTER DISKS

MFM
Up to 1024
Up to 64
8
3 (ST506)
35 μ s to 7.5 ms (500 μ sec increments)

FLOPPY DISKS

MFM
Up to 256
Up to 64
2
4 (SA450)
 \sim 15 μ s, 1ms, 2ms, 3ms, 4ms, 5ms, 6ms, 8ms, 10ms, 12ms, 14ms, 16ms, 18ms, 20ms, 25ms, 40ms.

Data transfer rate:
Write Precomp time:
Sectoring:

5.0 Mbits/s
12 ns
Soft

250 Kbits/s
100 to 300 ns adj.
Soft

General

CRC polynomial:
ECC polynomial:
ECC polynomial reciprocal:

$X^{16} + X^{12} + X^5 + 1$
 $X^{32} + X^{28} + X^{26} + X^{19} + X^{17} + X^{10} + X^6 + X^2 + 1$
 $X^{32} + X^{30} + X^{26} + X^{22} + X^{15} + X^{13} + X^6 + X^4 + 1$

256 byte sector

512 byte sector

Non-detection probability:
Miscorrection probability:
Correction span:
Single burst detection span:
Double burst detection span:

\sim 2.30 E-10
8.00 E-6
5 bits
20 bits
4 bits

\sim 2.30 E-10
1.57 E-5
5 bits
19 bits
3 bits

Host interface:
Drive capability:
Drive cable length:
Host cable length:
Power requirements:

8-bit bi-directional bus
10 LS loads
10 ft max
3 ft max
+ 5V \pm 5%, 3.0 A max

MTBF:
MTTR:

10,000 POH
30 min.

1.2.2 PHYSICAL

Length:
Width:
Height:

8.00 in.
5.75 in.
0.75 in.

1.2.3 ENVIRONMENTAL

Ambient temperature 0-50°C
Relative Humidity (non-condensing) 20% - 80%
Air flow at 1/4" from component surfaces . . . 150 cubic ft/min

SECTION 2

INTERFACE CONNECTORS

2.1 ORGANIZATION

The WD1002-05 board has seven connectors for user application:

- (J6) Power connector
- (J5) Host interface connector
- (J7, J8) Drive control connectors
- (J1, J2, J3) Winchester high speed data connectors

The drive control cables are daisy-chained to each of the three Winchester drives. The three drive data connectors carry differential signals and are radially connected.

2.2 HOST INTERFACE CONNECTOR SIGNALS

The signals of the host interface connector (J5) are compatible with most microprocessors and many minicomputers. The connector consists of an 8-bit bi-directional bus, a 3-bit address bus, and seven control lines. All commands, status, and data are transferred over this bus. The control signals are as follows:

DAL0-DAL7	8-bit bi-directional Data Access Lines. These lines are in a high-impedance state whenever the \overline{CS} line is inactive.
\overline{CS}	When Card Select (\overline{CS}) is active along with \overline{RE} or \overline{WE} , data is read or written via the DAL bus.
\overline{WE}	When Write Enable (\overline{WE}) is active along with \overline{CS} , the host may write data to a selected register of the WD1002-05.
\overline{RE}	When Read Enable (\overline{RE}) is active along with \overline{CS} , the host may read data from a selected register of the WD1002-05.
A2-A0	Three Address lines are used to select one of eight registers of the WD1002-05. They must remain stable during all read and write operations.
INTRQ	The INTerrupt ReQuest line is activated whenever a command has been completed. It is reset to the inactive state when the status register is read, or a new command is issued to the WD1002-05, or when \overline{MR} is asserted.
DRQ	The Data ReQuest line is activated whenever the sector buffer contains data to be read by the host, or is awaiting data to be loaded by the

host. This line is reset whenever the sector buffer is exhausted, or when \overline{MR} is asserted.

\overline{MR}

The Master Reset (\overline{MR}) line initializes all internal logic on the WD1002-05. Whenever \overline{MR} is received by the WD1002-05, the internal diagnostics are automatically initiated.

GND

All even numbered pins on this connector are to be used as signal grounds. Power grounds are available on the power connector.

2.3 40-PIN HOST INTERFACE CONNECTOR

The host interface connector (J5) is a 40-pin vertical header. Cabling should be less than three feet long. Either flat ribbon or twisted pair cable can be used. The connector pinouts are given in Table 2-1.

Table 2-1. Host Interface Connector Pin Description

Signal Ground	Signal Pin	Signal Name
2	1	DAL0
4	3	DAL1
6	5	DAL2
8	7	DAL3
10	9	DAL4
12	11	DAL5
14	13	DAL6
16	15	DAL7
18	17	A0
20	19	A1
22	21	A2
24	23	\overline{CS}
26	25	\overline{WE}
28	27	\overline{RE}
30	29	Pull-up (PUP)
32	31	Not Connected
34	33	Not Connected
36	35	INTRQ
38	37	DRQ
40	39	\overline{MR}

2.4 WINCHESTER DRIVE CONTROL SIGNALS

The Winchester Drive Control connector (J7) is a relatively low-speed bus, daisy-chained to each of the Winchester drives in the system. To properly terminate the open collector outputs from the WD1002-05, the last drive in the daisy chain should have a 220/330-ohm line termination resistor pack installed. All other drives should have no termination. Drive con-

control signals are as follows:

RWC When the Reduce Write Current (RWC) line is activated with write gate, a lower write current is used to compensate for greater bit-packing density on the inner cylinders. The RWC line is activated when the cylinder number is greater than or equal to four times the contents of the write precomp register. This output is valid only during write and format commands.

WG The Write Gate signal enables the disk write data circuitry.

SC Seek Complete line informs the WD1002-05 that the head of the selected drive has reached the desired cylinder and has stabilized. Since Seek Complete is not checked after a seek command, overlapped seeks are allowed.

TR000 TRack 000 indicates that the R/W heads are positioned on the outermost cylinder. This line is sampled before each step pulse is issued.

WF Write Fault informs the WD1002-05 that some fault has occurred on the selected drive. The WD1002-05 will not execute commands when this signal is true.

HS2-HS0 Head Select lines (HS2-HS0) are used by the WD1002-05 to select a specific R/W head on the selected Winchester drive.

IND Index is used to indicate the index point for synchronization during formatting and as a timeout mechanism for retries. This signal should pulse once every rotation of the disc.

RDY Ready informs the WD1002-05 that the desired drive is selected and that its motor is up to speed. The WD1002-05 will not execute commands unless this line is true.

STEP Step is pulsed once for every cylinder to be stepped. The direction of the step will be determined by the direction line. The Step pulse period is determined by the internal Winchester stepping rate register during implied seek operations, or explicitly during seek commands. During auto

restore, the step pulse period is determined by the seek complete time from the drive.

DS1-DS3 These three Drive Select lines (DS1-DS3) are used to select one of three possible drives.

DIRIN Direction In determines the direction of motion of the R/W head when the step line is pulsed. A high on this line defines the direction as out, and a low defines direction as in.

2.5 5.25" WINCHESTER 34-PIN DRIVE CONTROL CONNECTOR

This drive control connector (J7) is a 34-pin vertical header on 0.10-inch centers. Cabling should be flat ribbon or twisted-pair cable less than 10 feet long. The cable pinouts are given in Table 2.2.

Table 2.2. Winchester Drive Control Connector Pin Description

Signal Ground	Signal Pin	I/O	Signal Name
	1	O	<u>RWC</u>
	3	O	<u>Head Select 2</u>
	5	O	<u>Write Gate</u>
	7	I	<u>Seek Complete</u>
	9	I	<u>TR000</u>
	11	I	<u>Write Fault</u>
	13	O	<u>Head Select 0</u>
	15		NC
	17	O	<u>Head Select 1</u>
	19	I	<u>Index</u>
	21	I	<u>Ready</u>
	23	O	<u>Step</u>
	25	O	<u>Drive Select 1</u>
	27	O	<u>Drive Select 2</u>
	29	O	<u>Drive Select 3</u>
	31		NC
	33	O	<u>Direction In</u>

2.6 WINCHESTER DRIVE DATA CONNECTOR

Three data connectors (J1-J3) allow data to pass between the WD1002-05 and each Winchester disk drive. All lines associated with the transfer of data between a drive and the WD1002-05 system are differential in nature and may not be multiplexed. The three Winchester drive data connectors are 20-pin vertical headers on 0.10-inch centers. Cabling should be either flat ribbon or twisted-pair cable, less than 10 feet long. Cable pinouts are given in Table 2-3.

Table 2-3. Winchester Drive Data Connector Pin Description

Signal Ground	Signal Pin	I/O	Signal Name
2	1		NC
4	3		NC
6	5		NC
8	7		NC
	9		NC
	10		NC
11			GND
12			GND
	13	O	MFM Write Data
	14	O	MFM Write Data
15			GND
16			GND
	17	I	MFM READ Data
	18	I	MFM READ Data
19			GND
20			GND

2.7 POWER CONNECTOR

A 4-pin amp connector (J6) is provided for power and ground inputs to the board. The pinouts are given in Table 2-4.

Table 2-4. Power Connector Pin Description

Pin	Signal Name
1	NC
2	GROUND
3	GROUND
4	+ 5V regulated @ 3 amps (max)

2.8 FLOPPY DRIVE SIGNALS

The Floppy Drive Control connector (J8) is a relatively low-speed bus, daisy-chained to each of the floppy drives in the system. To properly terminate each TTL-level output signal from the WD1002-05, the last drive in the daisy chain should have line terminations as specified by the drive manufacturer. The other drives should not have any terminations. Drive control signals for the floppy discs are functionally similar to those for the hard discs, except that all data is transferred via one connector instead of the separate connectors used for the Winchester drives. Floppy drive signals are as follows:

$\overline{\text{IND}}$

The $\overline{\text{Index}}$ line contains a reference index pulse once every disk rotation to indicate the beginning of a track.

DS3-DS0

These four Drive Select lines (DS3-DS0) are used to select one of four possible drives.

$\overline{\text{MO}}$

The $\overline{\text{Motor On}}$ line is used to directly control the dc spindle motor of the floppy drive. If Motor On Mode (MOM) = 0 (user selectable jumper option) then a 40 nsec delay occurs, otherwise a one-second delay occurs after Motor On and before any reading or writing is attempted. If the floppy drive is not accessed for ~3 seconds, the motor is turned off by the WD1015. Also the drives supported must be configured so that the R/W heads are loaded when the motor is turned on. This is usually available as an option on most drives.

DIRIN

The $\overline{\text{Direction In}}$ line determines the direction of motion of the R/W head when the step line is pulsed. A high on this line defines the direction as out, and a low defines the direction as in.

STEP

The $\overline{\text{Step}}$ line is pulsed once for each cylinder to be stepped. The direction of the step will be determined by the direction line. The step pulse period is determined by the internal floppy stepping rate register during implied seek operations, auto restore, or explicitly during seek and restore commands. During any restore operation, the stepping-rate period is limited to 8 ms minimum.

WD

The $\overline{\text{Write Data}}$ interface line provides data to be written on the disk. This line is enabled by write gate being active.

$\overline{\text{WG}}$

The $\overline{\text{Write Gate}}$ output signal enables disk write data circuitry.

$\overline{\text{TR000}}$

$\overline{\text{TR000}}$ indicates that the R/W heads are positioned on the outermost cylinder. This line is sampled before each step is issued.

$\overline{\text{WP}}$

The $\overline{\text{Write Protect}}$ interface signal provided by the drive indicates to the WD1002-05 that a write-protected disk is installed. When write protect is active, no data can be written to the disk by the WD1002-05.

\overline{RD} The Read Data line provides the "raw data" (clock and data together) as detected by the drive logic.

\overline{SS} Selects side of floppy disk to be written or read.

2.9 5.25" FLOPPY 34-PIN DRIVE CONTROL CONNECTOR

This floppy drive control connector (J8) is a 34-pin vertical header on 0.10-inch centers. Cabling should be flat ribbon or twisted-pair cable, less than 10 feet long. The cable pinouts are given in Table 2-5.

Table 2-5. Floppy Drive Control Connector Pin Description

Signal Ground	Signal Pin	I/O	Signal Name
1	2	—	NC
3	4	—	NC
5	6	O	Drive Select 0
7	8	I	Index
9	10	O	Drive Select 1
11	12	O	Drive Select 2
13	14	O	Drive Select 3
15	16	O	Motor On
17	18	O	Direction In
19	20	O	Step
21	22	O	Write Data
23	24	O	Write Gate
25	26	I	Track 000
27	28	I	Write Protect
29	30	I	Read Data
31	32	O	Side Select
33	34	—	NC

SECTION 3

INTERFACE TIMING

3.1 HOST INTERFACE TIMING

3.1.1 HOST TASK FILE READ TIMING

The task files read by the host are physically located in the WD1010 Winchester Disk Controller. The error register is located in the WD1014 EDS device, and the status register is implemented using TTL gates.

Table 3-1. Host Task File Read Timing

SYMBOL	CHARACTERISTIC	MIN.	MAX.	UNITS
tSET	Addr, Card select setup to \overline{RE}	200		ns
tHLD	Addr, Card select hold from \overline{RE}	0		ns
tRE	Read enable pulsewidth	0.4	10	μ s
tRDR	Read Recovery time	300		ns
tDA	Data access after \overline{RE} active		400	ns
tDH	Data hold after \overline{RE} inactive		25	ns

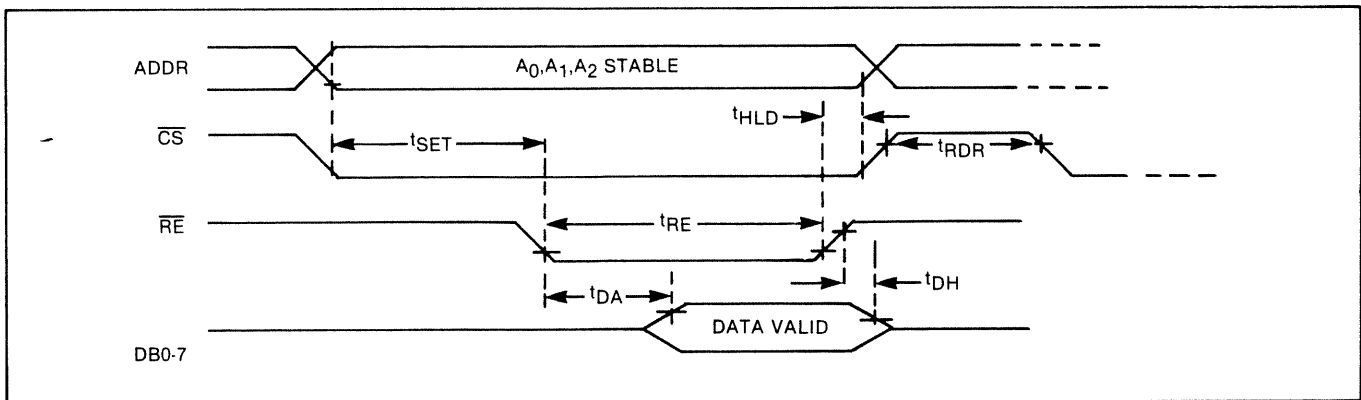


Figure 3-1. Host Task File Read Timing

3.1.2 HOST TASK FILE WRITE TIMING

The task files written to by the host are physically located in the WD1010 device except for the command register, which is located in the WD1014 EDS device.

Table 3-2. Host Task File Write Timing

SYMBOL	CHARACTERISTIC	MIN.	MAX.	UNITS
tSET	Addr, Card select setup to \overline{WE}	0.1	10	μ s
tHLD	Addr, Card select hold from \overline{WE}	30		ns
tWE	Write enable pulsewidth	0.2	10	μ s
tWER	Write Recovery time	1.0		μ s
tDS	Data access setup to \overline{WE} active	0.2	10	μ s
tDH	Data hold after \overline{WE} inactive	10		ns

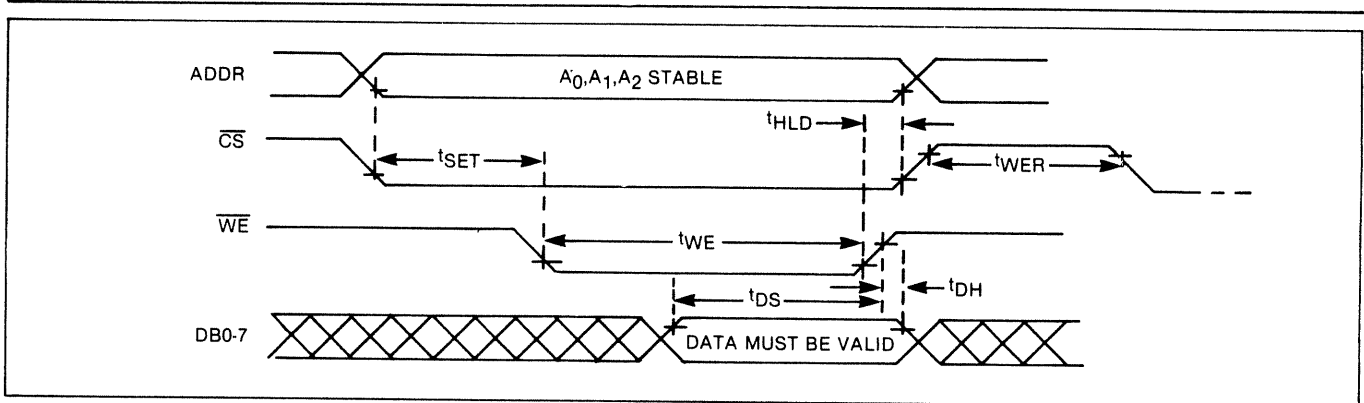


Figure 3-2. Host Task File Write Timing

3.1.3 HOST SECTOR BUFFER READ TIMING

After a read command, the host can read the sector buffer by accessing the data register. The DRQ line is set at the start of every sector transfer and is reset when the sector buffer has been emptied.

Table 3-3. Host Sector Buffer Read Timing (Normal Mode)

SYMBOL	CHARACTERISTIC	MIN.	MAX.	UNITS
t _{RC}	Read Cycle time	337		ns
t _{ACC}	Addr, Card select to Data Valid		337	ns
t _{RE}	Read enable pulsewidth	200		ns
t _{RR}	Read Recovery time		137	ns
t _{DA}	Data access from \overline{RE} active		200	ns
t _{DH}	Data hold after \overline{RE} inactive		25	ns

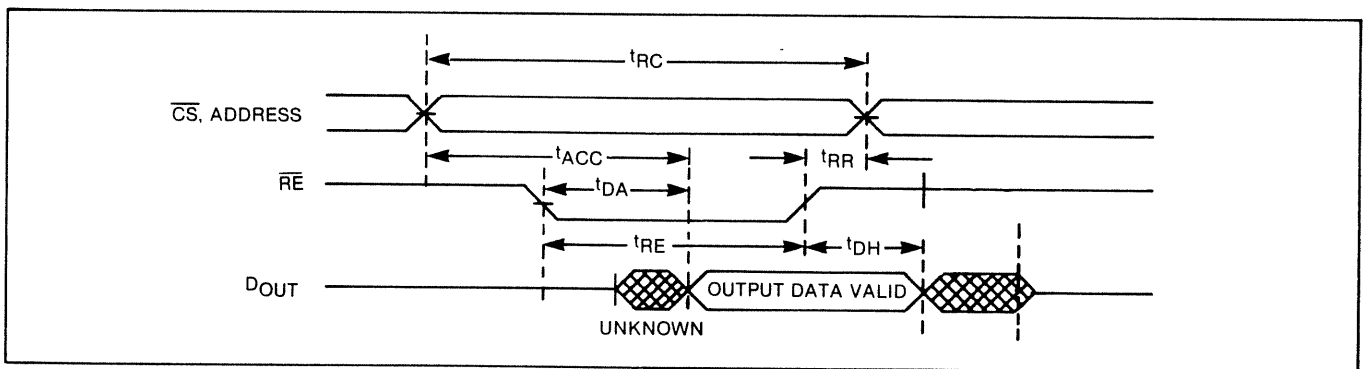


Figure 3-3. Host Sector Buffer Read Timing : Prog I/O

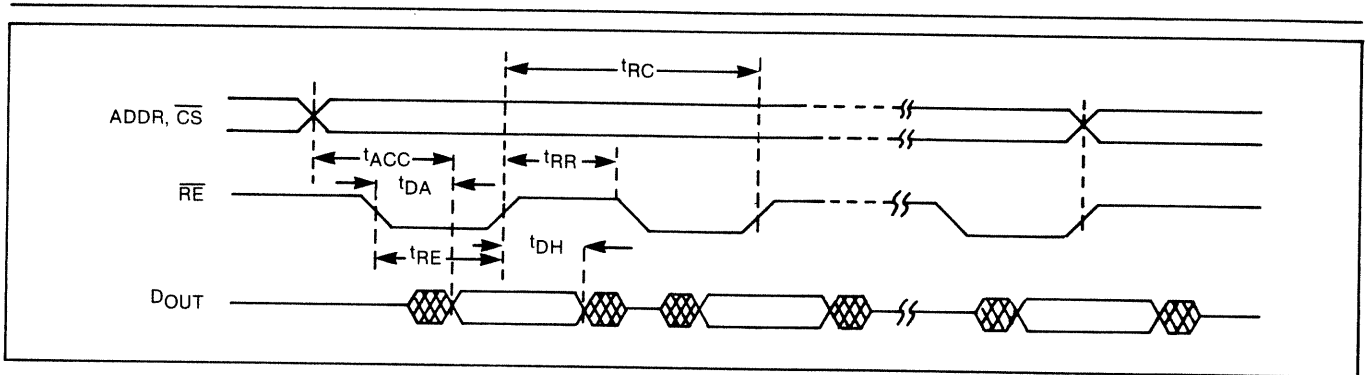


Figure 3-4. Host Sector Buffer Read Timing : DMA Mode

3.1.4 HOST SECTOR BUFFER READ TIMING (LONG MODE)

In the long mode of sector buffer read timing, the host reads four extra check bytes after the sector buffer has been emptied. These bytes are actually read from the WD1014 EDS device and not from the

sector buffer. The host is only required to generate four additional read strobes subject to the timings indicated. Multiple sector transfers are also permitted.

DMA data transfer speed should be limited in order to read the four check bytes in this special diagnostic mode.

Table 3-4. Host Sector Buffer Read Timing (Long Mode)

SYMBOL	CHARACTERISTIC	MIN.	MAX.	UNITS
t _{RP}	Read Cycle time	800		ns
t _{AS}	Address setup to \overline{CS}	0		ns
t _{AH}	Address hold from \overline{CS}	0		ns
t _{CS}	Card select setup to \overline{RE}	0		ns
t _{CH}	Card select hold to \overline{RE} inactive	0		ns
t _{ACC}	Addr, Card select to Data Valid		237	ns
t _{RE}	Read enable pulsewidth	50		ns
t _{DA}	Data access from \overline{RE} active		100	ns
t _{DH}	Data hold after \overline{RE} inactive		25	ns

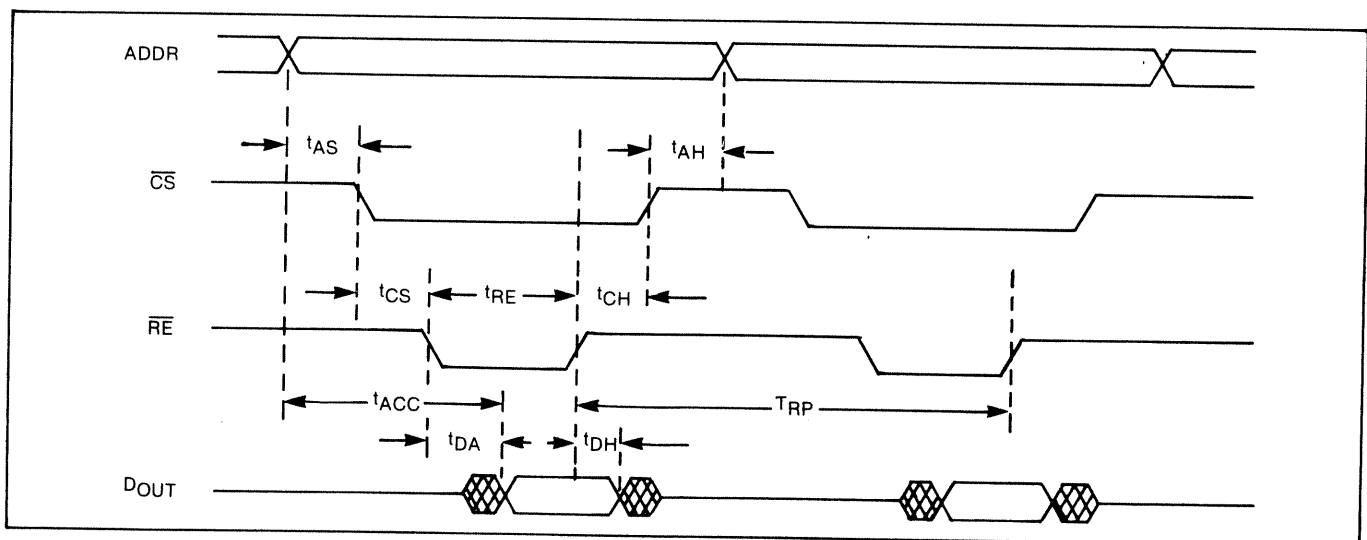


Figure 3-5. Host Sector Buffer Read Timing (Long Mode)

3.1.5 HOST SECTOR BUFFER WRITE TIMING

After a write or a format command has been issued, the host can write to the sector buffer by accessing the data register. Both the address lines A2-A0, and the \overline{CS} line can be held in their active states without being toggled while writing the sector of data. The

DRQ line is set at the start of every data transfer and is reset when the SB has been filled.

The DMA write cycle timing diagram is similar to the DMA read cycle timing shown in Figure 3-4.

Table 3-5. Host Sector Buffer Write Timing (Normal Mode)

SYMBOL	CHARACTERISTIC	MIN.	MAX.	UNITS
t_{WC}	Write Cycle time	257		ns
t_{AS}	Address setup time	0		ns
t_{CW}	Addr, Card select to end of \overline{WE}	257		ns
t_{WE}	Write enable pulsewidth	120		ns
t_{WR}	Write Recovery time		137	ns
t_{DS}	Data access from \overline{WE} active	60		ns
t_{DH}	Data hold after \overline{WE} inactive	15		ns

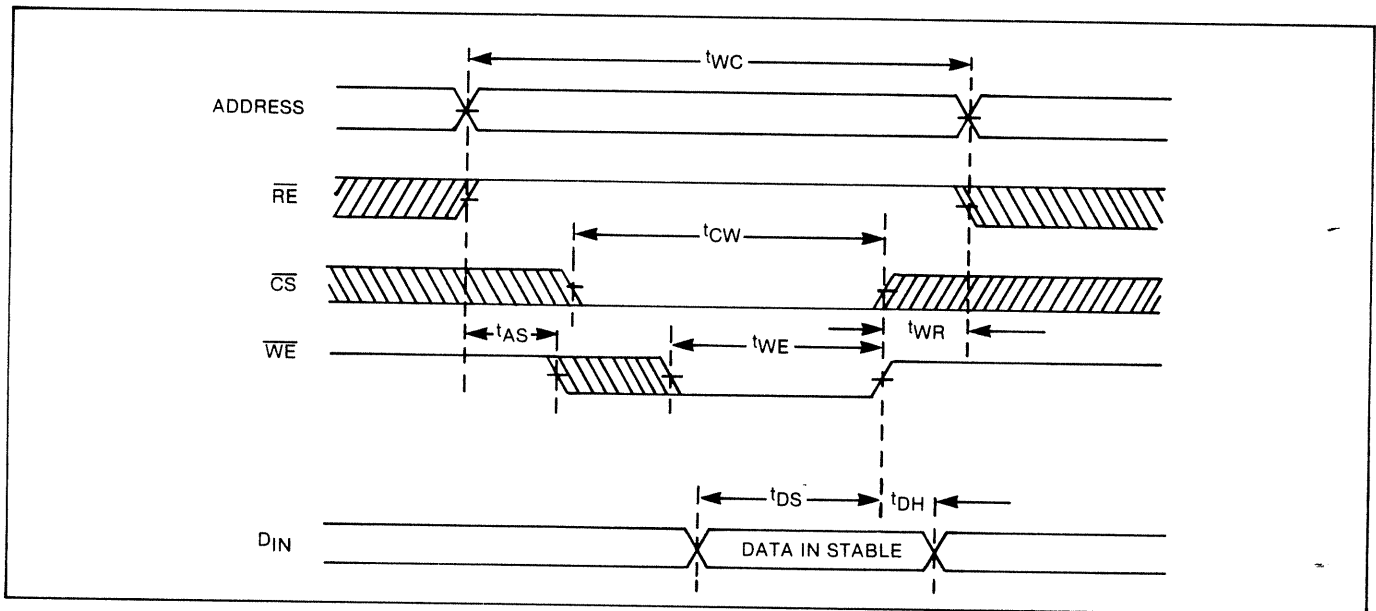


Figure 3-6. Host Sector Buffer Write Timing (Normal Mode)

3.1.6 HOST SECTOR BUFFER WRITE TIMING (LONG MODE)

In the long mode of sector buffer write timing, four extra check bytes are written by the host after the sector buffer has been filled. The bytes are actually written to the WD1014 EDS device and not to the sector buffer. The host is required to generate four additional write strobes subject to the timings indicated. Multiple sector transfers are permitted.

DMA data transfer speed should be limited in order to write the four check bytes in this special diagnostic mode.

Table 3-6. Host Sector Buffer Write Timing (Long Mode)

SYMBOL	CHARACTERISTIC	MIN.	MAX.	UNITS
tWP	Write Cycle time	800		ns
tAS	Address setup to \overline{CS}	0		ns
tAH	Address hold from \overline{CS}	0		ns
tCS	Card select setup to \overline{WE}	0		ns
tCH	Card select hold to \overline{WE} inactive	0		ns
tWE	Write enable pulsewidth	50		ns
tDS	Data setup to \overline{WE} inactive	60		ns
tDH	Data hold after \overline{WE} inactive	15		ns

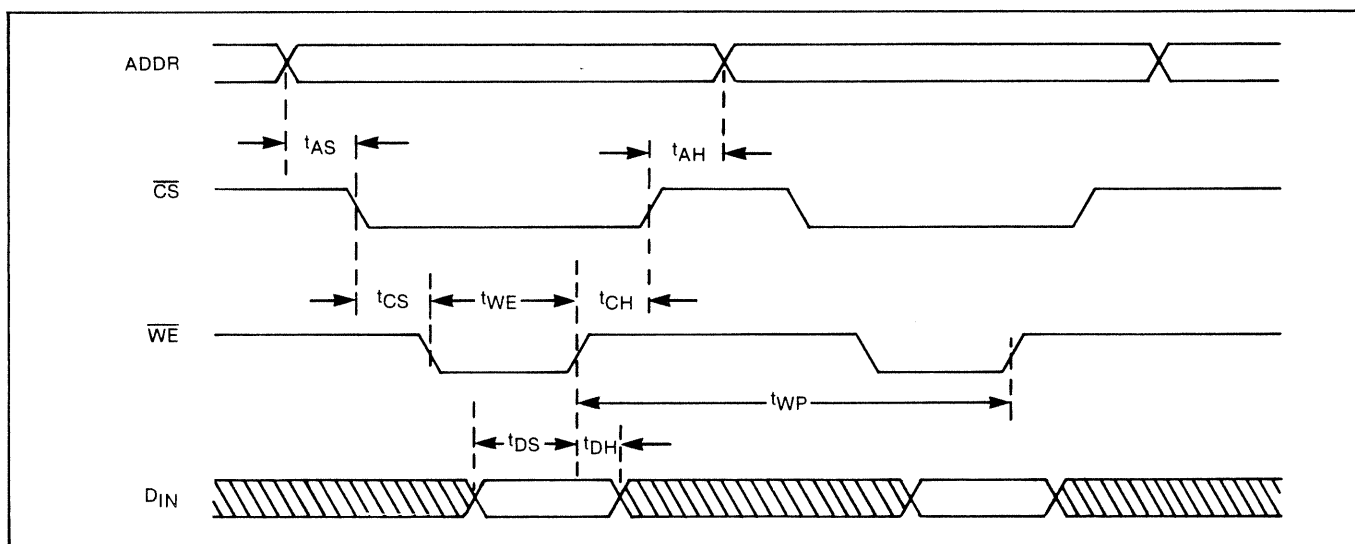


Figure 3-7. Host Sector Buffer Write Timing (Long Mode)

3.2 MISCELLANEOUS TIMING

Table 3-7. Miscellaneous Timing

SYMBOL	CHARACTERISTIC	MIN.	MAX.	UNITS
tIV	INTRQ valid from BUSY inactive		60	ns
tDV	DRQ valid from BUSY inactive		60	ns
tMR	Master Reset pulsewidth	50		ms
tBS	\overline{MR} to BUSY set		200	ns
tIR	\overline{MR} to Interrupt reset		200	ns
tDR	\overline{MR} to Data request reset		200	ns
tIRW	\overline{WR} (cmd.) to Interrupt reset		200	ns
tIRR	\overline{RE} (status) to Interrupt reset		200	ns
tDSW	Write command to DRQ set		200	ns
tDRW	$\overline{WE}/\overline{RE}$ to DRQ reset		300	ns

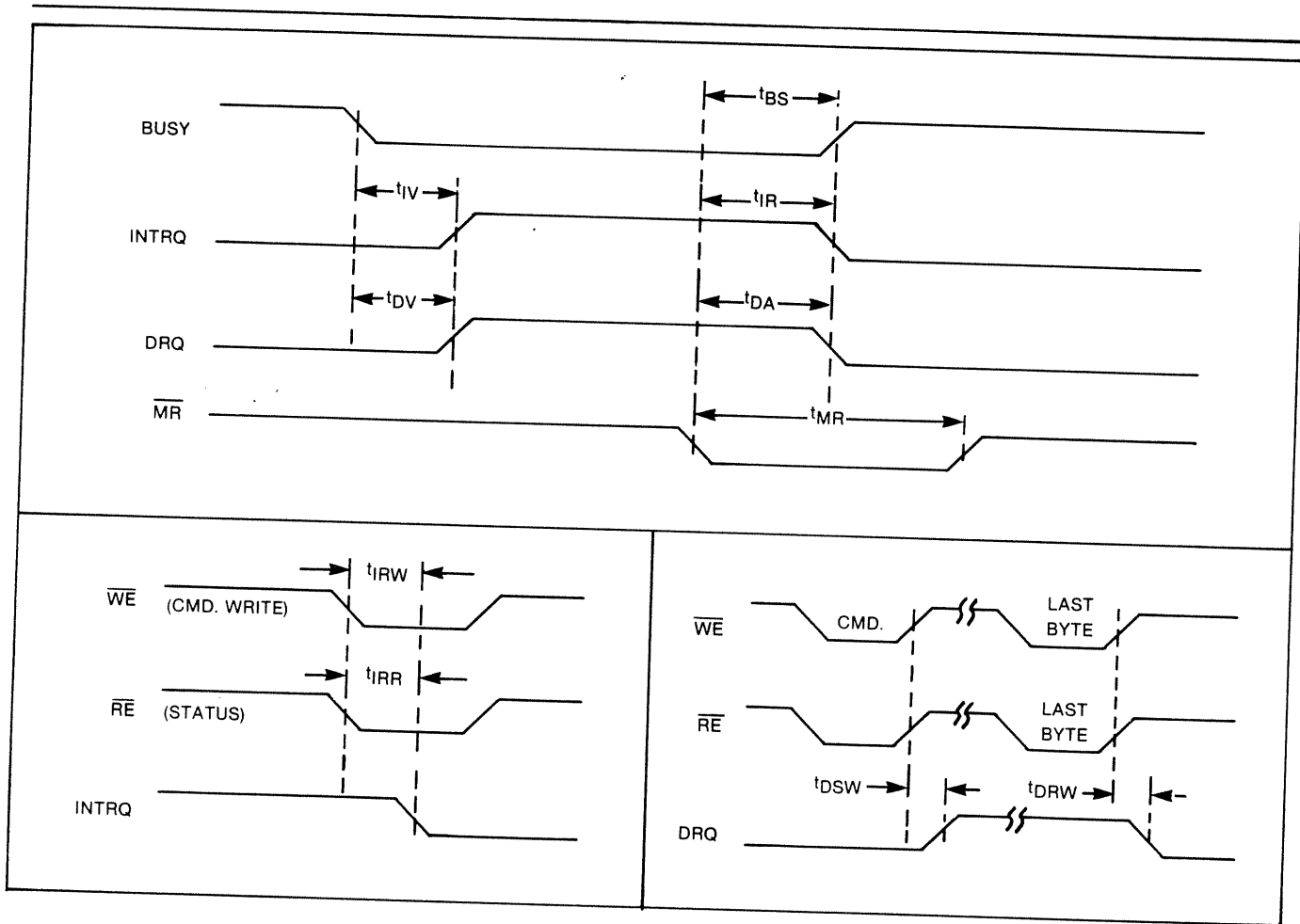


Figure 3-8. Miscellaneous Timing

SECTION 4 HOST INTERFACING

4.1 GENERAL

The WD1002-05 easily interfaces with most microcomputers and many minicomputers. Interfacing is accomplished with the host interface connector (J5).

The interface is very similar to that used for other Western Digital LSI peripheral devices, and the signal pinouts are compatible with the Western Digital WD1000 and WD1001 series of Winchester Disk Controller boards.

The $\overline{\text{WAIT}}$ line is not used in the WD1002-05. The $\overline{\text{WAIT}}$ signal, however, is still provided for compatibility with WD1000 and WD1001 controllers.

4.2 HOST INTERFACING EXAMPLE

Figure 4-1 shows the absolute minimum hardware required to interface the WD1002-05 board to a small 8085 microcomputer system. In the illustration, buffers are not used, nor is the I/O completely decoded. The user will most likely want to completely decode the I/O to minimize the amount of I/O or memory space required in the host for WD1002-05 interfacing. If the interface cable length is kept to a few inches, it is often possible to directly interface the WD1002-05 to the **buffered** bus of a host microcomputer.

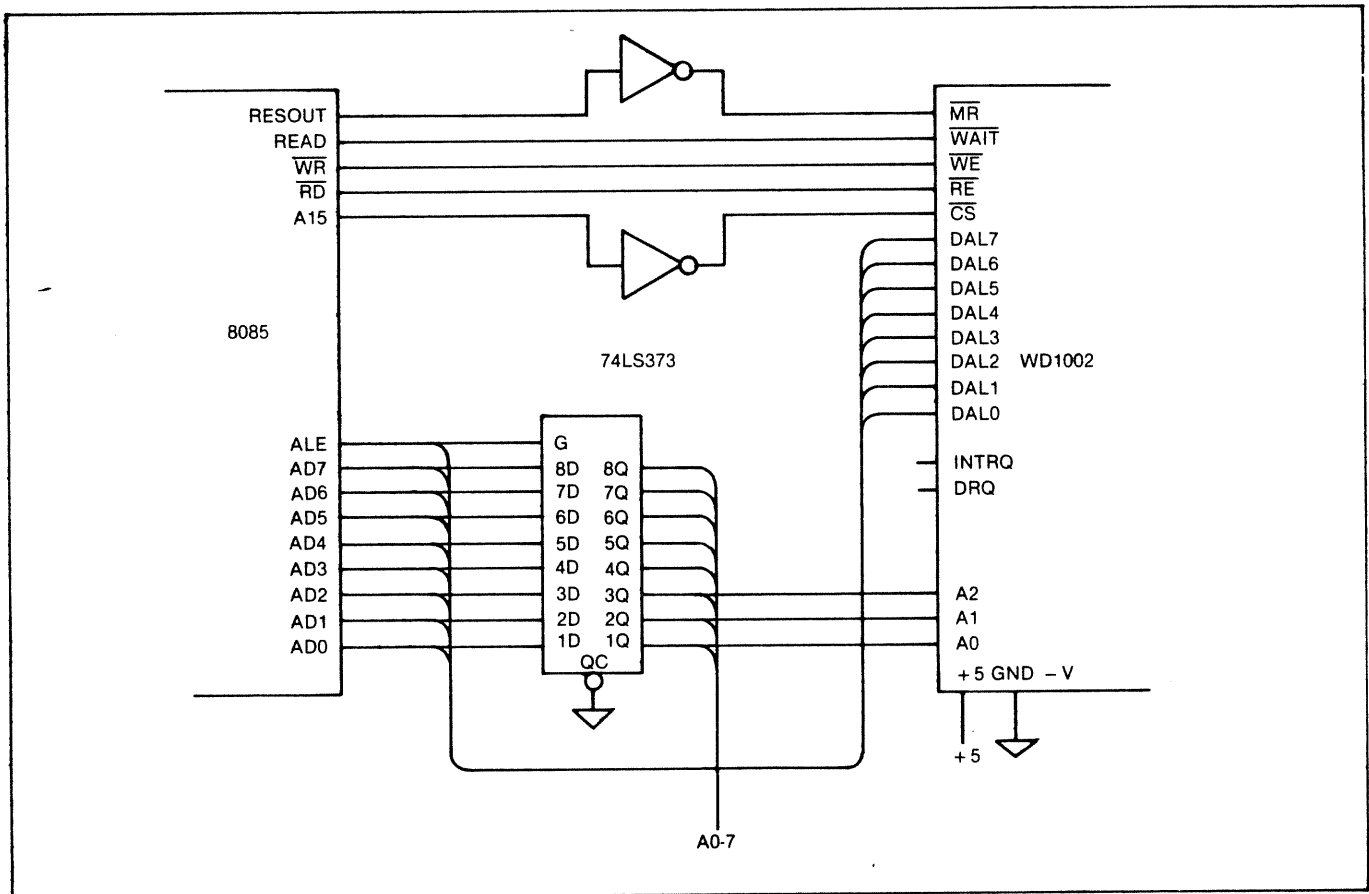


Figure 4-1. Host Interfacing Example

SECTION 5

TASK FILE

5.1 TASK FILE BASICS

The WD1002-05 performs all disk functions through a set of registers called the task files. The task files are loaded with parameters such as sector number, cylinder number, etc., prior to issuing a command.

Individual registers are selected via A0-A2 for both types of drives. The registers shown in Table 5-1 are available.

Table 5-1. Task File Register Array

\overline{CS}	A2	A1	A0	\overline{RE}	\overline{WE}
1	X	X	X	Deselected	Deselected
0	0	0	0	Data Register	Data Register
0	0	0	1	Error Register	Write Precomp*
0	0	1	0	Sector Count	Sector Count
0	0	1	1	Sector Number	Sector Number
0	1	0	0	Cylinder Low	Cylinder Low
0	1	0	1	Cylinder High**	Cylinder High**
0	1	1	0	Size/Drive/Head	Size/Drive/Head
0	1	1	1	Status Register	Command Register

*Not used on floppies

**LSB of cylinder high, if set to 1, permits a 48 t.p.i. floppy disk to be read on a 96 t.p.i. floppy disk system.

5.2 DATA REGISTER

This register is the user's window to the on-board full sector buffer. It contains the next byte of data to be written to or read from the internal sector buffer. When the DRQ (Data Request) line is asserted, the sector buffer contains data to be read during a Type II command, or is awaiting data to be written during a Type III command. If the WD1002-05 is interfaced using programmed I/O, data transfers to this register can be implemented using programmed block moves. This register may not be read from or written to except in the context of a valid command.

5.3 WD1002-05 ERROR REGISTER

This Register contains specific fault information pertaining to the last command executed. This register is only valid if the error bit in the status register is set. The error register is read only. Table 5-2 shows the error register bits.

Table 5-2. Error Register Bits

Bit	Error Register
7	Bad Block Detect
6	Uncorrectable Error
5	CRC Error ID Field
4	ID Not Found
3	—
2	Aborted Command
1	TR000 Error
0	DAM not found

DAM NOT FOUND Will be set during a read sector command if, after successfully identifying the ID field, the data address mark was not detected within 16 bytes of ID field.

TR000 ERROR Will be set during a restore command if the track 000 line was not asserted by the drive after all stepping pulses have been issued. The Winchester are issued a maximum of 1023 stepping pulses and the floppies, a maximum of 256 stepping pulses.

ABORTED COMMAND Indicates that a valid command has been received that cannot be executed based on status information from the drive, i.e. drive not ready, seek complete not asserted, or write fault. Interrogation of the status register by the host may be performed to determine the cause of this failure.

ID NOT FOUND When set, this bit indicates that an ID field containing a specified cylinder, head, sector number, or sector size was not found after all the retries have been executed.

UNCORRECTABLE ERROR Indicates that an ECC or CRC error was encountered in a data field during a read sector command and the error was uncorrectable.

BAD BLOCK DETECT Indicates that a bad block mark has been detected in the specified ID field. If the command issued was a write sector command, write gate may be pulsed but the sector will not be written if generated from a read sector command, the data field will not be read. Note that bad block may not be detected if there is a flaw in the ID field.

5.4 DIAGNOSTIC ERRORS

On power-up, or when specifically commanded to, the WD1002-05 will run a series of internal diagnostic tests. When an error is encountered, the diagnostic routine is terminated. A binary error code is set in the error register without the error bit of the status register being set. The diagnostic routines are exercised in the following order:

Error Code	Major Functional Failure
5	WD1015 error
4	WD1014 or bus error
3	sector buffer error
2	WD1010 error
1	WD2797 error
0	Pass — WD1002-05 is functional

5.5 WRITE PRECOMP

The write precompensation register holds the cylinder number where the RWC line will be asserted and write precompensation logic is to be turned on. This write-only register is loaded with the cylinder number divided-by-4 to achieve a range of 1024 cylinders. For example, if write precompensation is desired for cylinder 128 (80 Hex) and higher, this register must be loaded with 32 (20 Hex). The write precompensation delay is fixed at 12 nanoseconds from nominal.

This register is not used for floppy disk drives. Floppy disk write precompensation is contained in WD2797 and set as described in the "Summary of Adjustment Procedure" in SECTION 9 (MAINTENANCE) of this manual.

5.6 SECTOR COUNT

The sector count register is used in read sector, write sector, and format commands to implement multiple

sector handling with one command. The value of zero implies a transfer of 256 sectors (any size). For read and write multiple sector commands, the sector count is decremented, and the sector number is incremented after each sector transfer to or from the buffer. During a format command, this register is loaded with the number of sectors to be formatted and decremented as each sector is formatted until it reaches zero. During format, sector numbers are specified using interleave tables loaded in the sector buffer.

5.7 SECTOR NUMBER

This register is loaded with the desired sector number prior to a read or write command. The sector number register may be read or written to by the host.

5.8 CYLINDER NUMBER

These two registers form the cylinder number where the head is to be positioned on a seek, read, or write command. The two least significant bits of the cylinder high register form the most significant bits of the cylinder number as illustrated below:

	Cylinder High								Cylinder Low								
Register bits:	7	6	5	4	3	2	1	0	7	6	5	4	3	2	1	0	
Cylinder bits:								9	8	7	6	5	4	3	2	1	0

When bit 0 of the cylinder high register (bit 8 of cylinder register) is set to a 1 during floppy operation, 48 tpi disks can be used in 96 tpi disk drives for all commands. When this bit is set to 0, only 96 tpi disks can be used.

5.9 SDH REGISTER

This register contains the ECC/CRC sector size, drive select, and head select bits. The SDH register is a read/write register organized as shown in Tables 5-3 through 5-7.

Table 5-3. SDH Register

Bit	7	6	5	4	3	2	1	0
Function	CRC/ ECC	Sec Size		Drive Select		Head/ Drive Select		

Table 5-4. SDH Bits 6 & 5

Bit 6	Bit 5	Sector Size
0	0	256 Bytes
0	1	512 Bytes
1	0	1024 Bytes
1	1	128 Bytes

Table 5-5. SDH Bits 4 & 3

Bit 4	Bit 3	Drive Selected (decoded & latched)
0	0	Drive Sel 1
0	1	Drive Sel 2
1	0	Drive Sel 3
1	1	Floppy Dr Sel

Table 5-6. SDH Bits 2, 1 & 0 Hard Disk

Bit 2	Bit 1	Bit 0	Head Selected Hard Disk
0	0	0	Head 0
0	0	1	Head 1
0	1	0	Head 2
0	1	1	Head 3
1	0	0	Head 4
1	0	1	Head 5
1	1	0	Head 6
1	1	1	Head 7

The SDH register is used to select either the Winchester or the floppy disk drives as implied by bits 3 and 4 shown in Table 5-5. If either bit is set to zero, then one of the hard disks is selected, and Table 5-6 is used to select one of eight heads.

When bits 3 and 4 are both set to 1, then a floppy disk will be selected. Table 5-7 is used to select one of four drives with side select 0 or 1 as shown.

Whenever different drives are to be accessed, the SDH register must be updated by the host prior to a command being issued.

Table 5-7. SDH Bits 2, 1 & 0 Floppy Disk

Bit 2	Bit 1	Bit 0	Floppy Drive & Head Select
0	0	0	FD1 — HS0
0	0	1	FD1 — HS1
0	1	0	FD2 — HS0
0	1	1	FD2 — HS1
1	0	0	FD3 — HS0
1	0	1	FD3 — HS1
1	1	0	FD4 — HS0
1	1	1	FD4 — HS1

5.10 STATUS REGISTER

After execution of a command, the status register is loaded with status information pertaining to the command executed. The host must read this register to ascertain successful execution of the command. The status register is a read-only register; it cannot be written to by the host. If the BUSY bit is set, no other bits in this register are valid. Accessing this register will cause the INTRQ line to be reset.

Status register bits are shown in Table 5-8.

Table 5-8. Status Register Bits

Bit	Status Register
7	Busy
6	Drive Ready
5	Write Fault
4	Seek Complete
3	Data Request
2	Corrected Data
1	Not used
0	Error

ERROR When set, indicates that one or more bits are set in the error register. It provides an efficient means of checking for an error condition by the host. This bit is reset on receipt of a new command.

CORRECTED DATA This bit indicates that an error correction has been successfully completed on the data field just read from the Winchester disk. For multiple mode operations, this bit indicates one or more data fields have been successfully corrected. If an uncorrectable error occurs, the command is terminated with the appropriate bit being set in the error register.

DATA REQUEST	Functions the same as the DRQ line. When set, it indicates that the sector buffer is ready to accept data or contains data to be read by the host. The data request bit is reset when the sector buffer has been fully read or written. Normally, the host need not consult this bit to determine if a byte should be transferred.	READY	Indicates condition of ready line on drive. WD1002-05 will not execute any commands unless the ready bit is set. Normally this line is asserted for Floppy drives when the SDH register selects any floppy drive. A user available jumper option can be implemented if the READY line is available from the floppy drive.
SEEK COMPLETE	Indicates the condition of the seek complete line on the selected Winchester drive. For Floppy drives, this line is asserted when the SDH register is reloaded.	BUSY	After issuing a command, or initialing WD1002-05 internal diagnostics, this bit will be set indicating that the WD1002-05 is busy executing a command. No other bits or registers are valid when this bit is set.
WRITE FAULT/ WRITE PROTECT	Indicates the condition of the write fault line on a selected Winchester drive. The WD1002-05 will not execute any command if this bit is set. If a write-protected disk is sensed in a selected floppy drive during a write operation, the write fault bit will be set. The command will then be aborted and no writing will take place.		

5.11 COMMAND REGISTER

All commands are loaded into this register after the task files have been set. Writing to this register will cause the INTRQ Line to be reset. The command register is a write-only register. Refer to SECTION 6 (COMMANDS), subsection 6.1 for further details.

SECTION 6

COMMANDS

6.1 GENERAL

The WD1002-05 executes six, easy-to-use, macro commands. Most commands feature automatic "implied" seek, which means the host system need not tell the WD1002-05 where the R/W heads of each drive are nor when to move them. The controller automatically performs all retries on errors encountered, including data ECC errors. If the R/W head mis-positions, the WD1002-05 will automatically perform a restore and a re-seek. If the error is completely unrecoverable, the WD1002-05 will simulate a normal completion to simplify the host's software.

The commands executed by the WD1002-05 are mapped to the commands supported by the two disk controllers. The format of the WD1002-05 commands is the same as that of the WD1010 commands. The onboard WD1015 buffer manager translates this format for the WD2797, transparent to the user. Error correction and the Long modes are only supported for the Winchester Disk Controller, therefore the host must set SDH bit 7 = 0 and L = 0 for all the commands when a floppy disk is selected.

Commands are executed by loading the command byte into the command register while the controller is not busy. The host must observe the following simple protocol:

- The task file must be loaded prior to issuing a command. Only parameters that change from the previous command need be entered.
- For any write/format operations, the sector buffer must be filled with the appropriate data before the command can be executed by the WD1002-05.

No command will execute if the seek complete or ready lines are false, or the write fault line is true. Normally it is not necessary to poll these signals before issuing a command. If the WD1002-05 receives a command that is not defined in Table 6-1, undefined results will occur.

6.2 WD1002-05 COMMAND SUMMARY

Commands have been divided into three types as summarized in Table 6-1.

Table 6-1. Command Types

TYPE	COMMAND	BITS							
		7	6	5	4	3	2	1	0
I	Test	1	0	0	1	0	0	0	0
I	Restore	0	0	0	1	r ₃	r ₂	r ₁	r ₀
I	Seek	0	1	1	1	r ₃	r ₂	r ₁	r ₀
II	Read Sector	0	0	1	0	D	M	L	0
III	Write Sector	0	0	1	1	0	M	L	0
III	Format Track	0	1	0	1	0	0	0	0

L = Long bit : 0 = normal mode
M = Multiple sect : 0 = Single sector
D = read interrupt: 0 = Programmed I/O Mode

1 = Long mode
1 = Multiple sector
1 = DMA Mode

6.2.1 STEPPING RATES

Table 6-2. r₃-r₀ — Stepping Rate

r ₃ -r ₀	Winchester Disk Drives	Floppy Disk Drives
0000	~35 μs	~15 μs
0001	0.5 ms	1.0 ms
0010	1.0 ms	2.0 ms
0011	1.5 ms	3.0 ms
0100	2.0 ms	4.0 ms
0101	2.5 ms	5.0 ms
0110	3.0 ms	6.0 ms
0111	3.5 ms	8.0 ms
1000	4.0 ms	10 ms
1001	4.5 ms	12 ms
1010	5.0 ms	14 ms
1011	5.5 ms	16 ms
1100	6.0 ms	18 ms
1101	6.5 ms	20 ms
1110	7.0 ms	25 ms
1111	7.5 ms	40 ms

6.3 TYPE I COMMANDS

Type I commands do not effect transfer of data between the host and the WD1002-05 but merely position the R/W heads of the selected drive or run diagnostics. The restore and seek commands have explicit stepping rate fields. The lower four bits of these commands form the stepping rate for the drives.

6.3.1 TEST COMMAND

Bit code: 1 0 0 1 0 0 0 0

The test command is used to run internal diagnostics for checking WD1002-05 board function. It is mainly employed to isolate faults in the board logic. This command is always executed on a MR strobe. Any faults are reported as error codes. (See Section 5.4 for a description of the error codes.)

6.3.2 RESTORE

Bit code: 0 0 0 1 R3 R2 R1 R0

The restore command is used to calibrate the position of the R/W head on each drive by stepping the head outward until the TR000 line goes true. Upon receipt of the restore command, the BUSY bit in the status register is set. Cylinder high and cylinder low registers are cleared. For Winchester operation, the actual stepping rate is determined by the Seek Complete period. For Floppy operation, a minimum stepping pulse of 8 msec. is used. However, the stepping rate field specified by the host is saved internally for use in all future implied seeks. The state of seek complete, ready and write fault are sampled, and if an error condition exists, the aborted command bit in the error register is set, the error bit in the status register is set, an interrupt is generated, and the BUSY bit is cleared.

Regardless of errors encountered, the internal head position register for the selected drive is cleared. The TR000 line is sampled. If TR000 is true, an interrupt is generated and the BUSY bit is reset. If TR000 is not true, stepping pulses at a rate determined by the stepping rate field are issued until the TR000 line is activated. When TR000 is activated, the busy bit is reset and interrupt is issued. If the TR000 line is not activated within 1024 stepping pulses, the TR000 error bit in the error register and the error bit in the status register are set, the BUSY bit is reset, and an interrupt is issued.

6.3.3 SEEK

Bit code: 0 1 1 1 R3 R2 R1 R0

The seek command positions the R/W head at a certain cylinder. It is primarily used to start two or more concurrent seeks on drives that support buffered stepping. Note that the seek complete line is not sampled after the seek command so that multiple seek operations may be started using drives with buffered seek capability.

6.4 TYPE II COMMANDS

Type II commands characteristically transfer blocks of data from the WD1002-05 buffer to the host. This type of command has an implicit stepping rate as set by the last restore or seek command.

6.4.1 READ SECTOR

Bit code: 0 0 1 0 D M 0 0

The read sector command is used to enable the host computer to read a sector of data from the disk. If ECC is enabled, ECC bytes are recomputed by the WD1002-05. After the buffer is full, the recorded ECC bytes are compared to the recomputed check bytes to generate the syndrome bytes. If the syndrome is non-zero, errors have occurred. Error correction is invoked by the WD1015 if two consecutive syndromes match, otherwise a maximum of 8 retries is attempted by the WD1015. If the data is correctable, the WD1015 makes the correction and passes the data in the buffer to the host. If, after eight retries, the syndromes do not match, the WD1002-05 sends an error status to the host along with the status from the WD1010. Multiple sector read commands are modified to single sector commands and are issued a multiple number of times. The status and error registers are updated for every block of data transferred.

During a Floppy read sector operation only CRC is used with the data fields. If a CRC error occurs in the data field, the WD1015 buffer manager attempts a maximum of 8 retries and reports the error only if it persists. Regardless of the drive accessed (Winchester or Floppy), CRC is used on all ID fields.

6.4.1.1 READLONG Command

Bit code: 0 0 1 0 D M 1 0

This command is similar to the read sector command except that the ECC operation producing the syndrome is inhibited in the WD1002-05. Instead, the WD1002-05 copies the four recorded check bytes from the disk and passes them unaltered to the host. This command is useful in debugging and verifying the ECC hardware and software. To do this, first write

normally and then issue the READLONG command. The data, or the check bytes may now be altered by the host and written to the disk using the WRITELONG command. If a read command is now issued, the WD1002-05 will correct it as long as the error induced is within the correction capability of the ECC polynomial. This mode is not supported for floppy disk.

6.4.1.2 DMA Read

D = DMA Read Mode

0 = Programmed I/O mode 1 = DMA Mode

The DMA bit is used to position INTRQ in relation to DRQs during the read sector command. If the DMA bit is reset (D=0), the interrupt will occur along with the DRQ. This allows the programmed I/O host to intervene and transfer the data from the sector buffer. For programmed I/O, multiple transfer is not permitted (M=0). If the DMA bit is set (D=1), then the interrupt will occur only after the system DMA controller has transferred the entire buffer of data. This mode is always used with multiple sector transfers.

6.4.1.3 Normal Completion

A normal completion occurs when the WD1002-05 encounters no errors. The BUSY bit is reset. The status of the DMA bit in the command byte is examined. If this bit is reset (D=0; programmed I/O mode), an interrupt is issued at this time. DRQ is set until all bytes of data have been read from the buffer. (Note: It is recommended that programmed I/O transfers should take place as a block move without consulting the DRQ bit in the Status Register.) After all the data has been moved from the buffer, the DMA bit in the command byte is consulted again. If this bit is set (D=1; DMA mode) then an interrupt will be issued.

6.5 TYPE III COMMANDS

This type of command is characterized by a transfer of a block of data from the host to the WD1002-05 buffer. These commands have implicit stepping rates as set by the last restore or seek command.

The command will not be executed by the WD1002-05 controller unless the buffer has been completely filled by the host.

6.5.1 WRITE SECTOR

Bit code: 0 0 1 1 0 M 0 0

The Write Sector command is used to write a sector of data from the host computer to the disk. Upon receipt of the write command, the controller sets DRQ until the entire sector length of data has been written into the buffer. (Note: It is recommended that programmed I/O transfers should take place as a block move without consulting the DRQ bit in the Status Register.)

6.5.1.1 WRITELONG Command

Bit code: 0 0 1 1 0 M 1 0

The WRITELONG command functions similarly to the write sector command except that the ECC operation that computes the ECC word is inhibited in the WD1002-05. Instead, the WD1002-05 accepts a 4-byte appendage from the host and passes it unaltered to be written on the disc at the end of the data as check bytes. This mode is not supported for the floppy discs.

6.5.2 FORMAT TRACK

Bit code: 0 1 0 1 0 0 0 0

The format command is used for initializing the ID and data fields on a particular disk. Upon receipt of the format command, the controller sets the DRQ for the interleave table to be written to the buffer. In all cases, the number of bytes transferred to the buffer must correspond to the current sector size.

When the buffer has been completely filled, the specified number of sectors are written and the DRQ is reset. The data field is written with 00 for the hard disks and E5 (hex) for the floppies. ECC or CRC bytes are automatically computed and written.

Once the index is found, a number of ID and data fields are written to the disk. As each sector is written, the sector count register is decremented and consequently must be updated before each format operation.

SECTION 7

PROGRAMMING

7.1 GENERAL

Users will find programming the WD1002-05 relatively simple as a substantial amount of intelligence formerly required by host computers has been incorporated into the WD1002-05 board.

The WD1002-05 performs all needed retries, even on head positioning errors. If there is an error in the data field, the WD1002-05 will attempt to correct it.

Most commands feature automatic "implied" seek, which means that seek commands need not be issued to perform basic read/write functions. The WD1002-05 keeps track of the head position up to eight read/write head assemblies, eliminating the need for the host system to maintain track tables.

All transfers to and from disk are through an on-board sector buffer. This means that data transfers are fully interruptable and can take place at any speed that is convenient to the system designer. In the event of an unrecoverable error, the WD1002-02 simulates a normal completion so that special error recovery software is not needed.

This section assumes that the user has read Section 5 (Task File) and Section 6 (Commands).

7.2 SETTING UP TASK FILES

Before any of the six macro commands may be executed, a set of parameter registers called the task files must be set up. For most commands, this informs the WD1002-05 of the exact location on the disk where the data involved in the transfer is located or will be placed. For a normal read or write sector operation, the sector number, the size/disk/head, the cylinder number, and the command registers (usually in that order) will be written.

Note that although most of these registers are readable as well as writable, they are normally not read from. Read capability for them is provided, however, so that error-reporting routines can determine physically where an error occurred without recalculating the sector, head, and cylinder parameters.

Since all the task file parameters can be recalled by the WD1002-05, it is recommended that task file parameters be stored in the WD1002-05 as they are calculated. This will save the programmer a few instructions and microseconds by not maintaining two copies of the same information.

7.2.1 CYLINDERS AND TRACKS

Since most hard-disk drives contain more than one head per positioner, it is more efficient to step the R/W head assemblies of most disk drives by cylinders, not tracks. In other words, the disk driver soft-

ware should be designed to read or write all data that is directly accessible by all the heads on a positioner before stepping to a new cylinder. Table 7-1 presents a cylinder-by-cylinder sequential file read on a four head, two-platter disk drive.

Table 7-1. File Read on 4-Head, 2-Platter Disk Drive

Physical Cylinder	Logical Head Number	Physical Head Side	Physical Platter
25	3	Top	B
26	0	Bottom	A
26	1	Top	A
26	2	Bottom	B
26	3	Top	B
27	0	Bottom	A

7.3 TYPE I COMMAND PROGRAMMING

Test, Restore and seek are Type I commands that position the R/W heads of the selected drive and set the implied stepping-rate register. No data is transferred to or from the data register. To execute a Type I command, the system software must perform the following functions in the order shown:

1. Set up task file and issue command with stepping rate (WD1002-05 will attempt to execute Type I command)
2. Wait for interrupt or for BUSY bit in status register to be reset
3. Check error bit in status register for proper completion

7.3.1 USE OF BUSY BIT

Smaller, single-user systems can sense the completion of a command by polling the BUSY bit of the status register. This bit (bit 7) is set whenever the controller starts a disk operation or internal diagnostics, and is reset whenever the controller is ready to communicate with the host computer.

On the WD1002-05, the BUSY bit is located in the same place as the sign bit of many computers to simplify the polling process.

One way to poll this bit using 8080 code is as follows:

```

WAIT:  IN      STATUS      ;Input WD1002-05
                          ;Status register
        ANA    A           ;Update 8080 sign
                          ;flag
        JM     WAIT       ;Wait if BUSY (sign)
                          ;bit set
    
```

This is another way to poll the BUSY bit using PDP-11 code:

```
WAIT:  MOVB  @#STATUS,R0 ;Input status,
        update sign flag
        BMI   WAIT      ;Wait if BUSY (N) bit
                           set
```

7.3.2 USE OF INTERRUPTS

Another, more efficient way of notifying the CPU that the WD1002-05 has completed a command is through interrupts. The INTRQ line on the WD1002-05 makes a low to high transition whenever the disk controller requires CPU intervention. This allows the host CPU to run other tasks while the WD1002-05 is reading or writing data to the disk.

7.3.3 USE OF THE ERROR BIT

As the WD1002-05 simulates normal completions when errors have been encountered, the only way to determine error status is to check the error bit in the status register. The WD1002-05 error bit is so located that it can be easily tested by rotating it into the carry bit of many processors. The contents of the error register are not valid unless the error bit is set.

One way to check the Error bit using 8080 code is as follows:

```
IN     STATUS      ;Get status (if not
                   already in A)
RAR                    ;Rotate error bit
                   into C
JC     ERROR       ;Jump if error found
```

In certain hardware configurations, the following can check the error bit using PDP-11 code:

```
BIT    @#STATUS,#1 ;Bit test the error bit
BNE    ERROR       ;Branch if error
                   found
```

7.3.4 USE OF THE CORRECTED BIT

Correctable errors are usually quite benign and can almost always be ignored. Some systems designers, however may wish to log their occurrence. The corrected bit has been placed in the status register to facilitate error logging. Correctable and fatal errors can be detected with the following 8080 code:

```
IN     STATUS      ;Get WD1002-05
                   status
ANI    5            ;Mask off Error and
                   Correct bits
JNZ    SOMERR      ;Jump if we have
                   either a
                   ;correctable or fatal
                   error
```

7.4 TYPE II COMMAND PROGRAMMING

The only Type II command is the read sector command. This command is characterized by the transfer of a block of data from the WD1002-05 buffer to the host. The command features implied seek with an implicit stepping rate. To execute a Type II single-sector command in programmed I/O mode, the system software must perform the following functions in the order shown:

1. Set up task file and issue command with DMA bit reset (WD1002-05 will attempt to read sector)
2. Wait for interrupt or for BUSY bit in status register to be reset
3. Perform a block move from WD1002-05 buffer to system memory
4. Check error bit in status register for proper completion

Note: Steps 3 and 4 above can be reversed.

To execute a Type II single or multiple sector command in DMA mode with interrupts, the system software does the following:

1. Set up task file and issue command with DMA bit set
2. Set up DMA controller (WD1002-05 will attempt to read single or multiple sectors) (DMA controller will move data from WD1002-05 to memory)
3. Wait for interrupt from WD1002-05
4. Check error bit in status register for proper completion

Note: The above sequence is preferred, but steps 1 and 2 above can be reversed.

7.4.1 DMA MODE

The DMA mode bit (D) in the foregoing read sector examples is a special bit in the command byte used to optimize the WD1002-05 interrupts during programmed I/O and DMA operations. If the DMA bit is reset (D = 0), the interrupt will come before the buffer is transferred. This allows a programmed I/O host to intervene and transfer the buffer of data. If the DMA bit is set (D = 1), then the interrupt will occur only after the data has been transferred. This allows the host to go uninterrupted until the entire buffer has been transferred.

7.4.2 BLOCK MOVES

The WD1002-05 performs all transfers between itself and the disk drive through an on-board full sector buffer. Once the disk has been read, the data is available to the host at any rate from DC to as high as a byte

every 500 ns. In programmed I/O applications there is no need to consult the DRQ bit in the status register to determine if another byte is ready to be processed. Once an interrupt occurs or the BUSY bit is reset on a read, the host computer should do a block move of all the bytes in the sector.

The following 8080 code demonstrates a transfer from the WD1002-05 to system memory. The transfer address is in HL and the byte count is in B:

```

READIT: IN      DATA      ;Get data from
                          WD1002-05 sector
                          buffer
        MOV     M,A        ;Store it in memory
        INX     H          ;Increment memory
                          pointer
        DCR     B          ;Decrement byte
                          counter
        JNZ     READIT     ;Do it again if whole
                          sector not xferred

```

The following Z-80 instruction does it all. The transfer address is in HL, byte count is in B and WD1002-05 data register address in C:

```

READIT: INIR          ;Transfer buffer
                          from WD1002-05 to
                          memory

```

7.4.3 USING DMA

A special bit in the read sector command optimizes the WD1002-05 in terrupts for DMA operation.

7.4.4 MULTIPLE SECTOR TRANSFERS

The WD1002-05 can transfer more than one sector per command, if interfaced, using DMA and interrupts. Transfers as large as an entire track can be executed. The sector count register holds the number of records to be transferred (if sector count is zero, then 256 records will be transferred.) The sector number register holds the starting sector of the transfer. When a multiple sector transfer is successfully completed, the sector count register will be equal to zero and the sector number register will be equal to the last sector transferred plus one.

If a fatal error is encountered during a multiple sector transfer, the sector number register will be left pointing to the sector that contained the fatal error, and the sector count register will hold the number of sectors that were not transferred.

If a correctable error is encountered during a multiple sector read, the corrected bit in the status register will be set, but the operation will not be terminated because correctable errors are not considered fatal.

7.4.4.1 Partial Sector Transfers

The WD1002-05 permits partial sector transfers on read operations. This allows the user to read the first part of a sector and discard the rest. During programmed I/O, the byte counter in the block move routine is set to the number of bytes to be read. During DMA operations, the DMA controller is set with the number of bytes to be transferred.

Normally, during a DMA read operation, the WD1002-05 interrupts the host after a sector has been transferred. However, if only a partial sector is being read, the WD1002-05 does not know that the operation has been completed. Therefore, the 'transfer complete' interrupt must come from the DMA controller.

During write sector operations, the DMA controller will interrupt the system after the buffer has been transferred to the WD1002-05, but before the data have been written. Some systems with advanced interrupt handling capabilities can easily mask off this spurious DMA interrupt. For those systems that cannot, the WD1002-05 has a provision built into its command structure to detect read operations.

7.4.4.2 Interrupt Source Selection

Bit 4 of all commands determines whether the operation will be a read sector operation or something else. Those commands that require the interrupt from the WD1002-05 have this bit set to 1. The read sector command (the only one that might need the DMA controller's interrupt) has this bit set to a 0. Bit 3 of the command is then used to select either programmed I/O interrupts or DMA type interrupts.

7.4.4.3 Clearing Hardware DRQ

During partial sector reads, the DMA controller will stop the DMA transfer before the WD1002-05 has a chance to issue its last data request. Because of this, the DRQ line might be set the next time transfer parameters are sent to the DMA controller. To avoid spurious (and often fatal) DRQs, the user must do a hardware clear of the DRQ line unless another command is issued. DRQ is actually cleared by doing dummy reads of the data register to dump the rest of the data.

7.4.4.4 Interrupt Selection Circuit

If the user is reading partial sectors with the WD1002-05 and wants to have the system automatically configure its interrupts, a circuit similar to that shown by Figure 7-1 will have to be implemented.

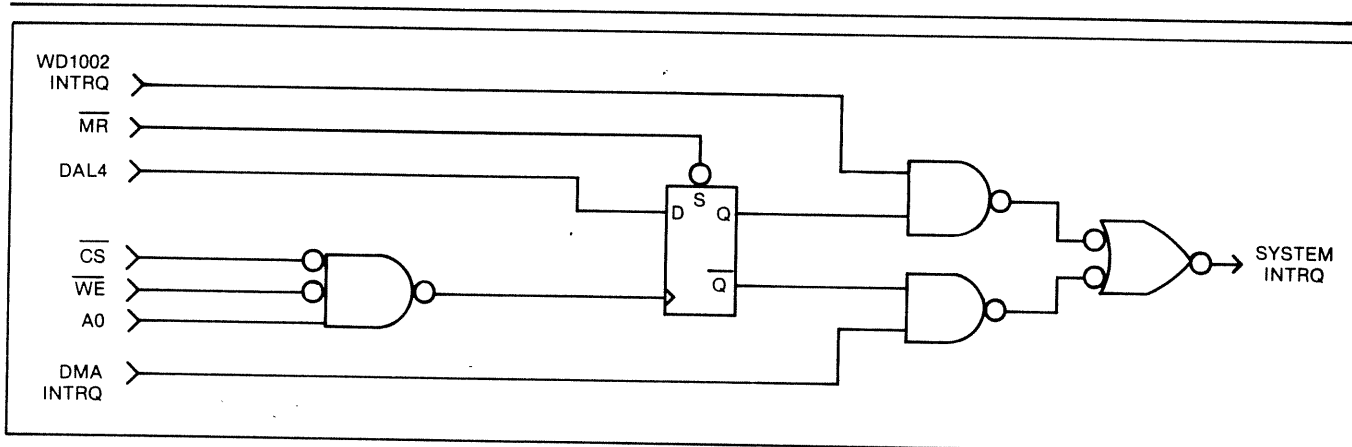


Figure 7-1. Interrupt Selection Circuit

7.4.5 SIMULATED COMPLETIONS

All WD1002-05 commands (except multiple sector transfers) act in precisely the same manner, whether or not an error was encountered. The only way to determine whether an error has occurred is to sample the error bit in the status register. Simulated completions offer the system designer the following tangible benefits:

- Simplifies masking and generation of interrupts
- Simplifies non-error handling portions of the system software
- Eliminates the software overhead of handling different types of errors
- Simplifies system software error handling validation (any error is handled the same way as any other error)
- Prevents system failure in the event of some obscure error condition that the system programmer did not anticipate

7.5 TYPE III COMMAND PROGRAMMING

Write sector and format are Type III commands. These commands are characterized by the transfer of a block of data from the host to the WD1002-05 buffer. Like the Type II commands, these commands feature implied seek with an implicit stepping rate. To execute a single sector Type III command in programmed I/O mode, the system software must go through the following functions in the order indicated:

1. Set up task file and issue command
2. Perform block move from system memory to WD1002-05 buffer (WD1002-05 will attempt to write a sector or format)

3. Wait for interrupt or for BUSY bit in status register to be reset
4. Check error bit in status register for proper completion

To execute a single or multiple sector Type III command in DMA mode with interrupts, the system software goes through the following steps:

1. Set up task file and issue command
2. Set up DMA controller (DMA controller will move data from memory to WD1002-05) (WD1002-05 will attempt to write sector or format)
3. Wait for interrupt from WD1002-05
4. Check error bit in status register for proper completion

Note: Steps 1 and 2 above can be reversed.

7.5.1 FORMATTING

The format command is very similar to the write sector command, except that the sector buffer is filled with interleave and bad block information instead of with user data. Two bytes will be written to the buffer for each sector to be formatted.

The first (lower) byte will be either a 00 or an 80 in hex. If the lower byte is a 00, the sector is marked as good. If the lower byte is an 80, and there is any attempt to read it or write to it, the sector will set the bad block bit in the status register. See cautions regarding media imperfections mapping in subsection 7.5 Bad Block Mapping.

The second (upper) byte is the logical sector number of the next sector to be formatted. This number will be recorded on the disk. The sector number register is not used during format.

On a 32-sector-per-track disk, 32 pairs of bytes containing formatting information must be supplied to the drive during each format operation. To start the format operation, the buffer must be completely filled, even if the sector table is not as long as the buffer. This means that on a 32-sector-per-track disk, with 64 bytes of formatting information supplied, if the sector size is 256 bytes, then 192 bytes of garbage must be passed to the controller to start the format operation.

As the contents of the sector buffer do not imply how many sectors are to be formatted, a dedicated register is provided. This Sector Count register must be loaded with the number of sectors to be formatted before every format operation. To calculate the maximum number of sectors per track, see Appendix C.

7.5.2 INTERLEAVING

If sequential sectors on the disk are to be read, the next sector will pass by the read/write head before a read or write can be set up. The disk will then have to make a complete rotation to pick up this next sector. If an attempt is made to read all 32 sectors on a particular track, it requires 32 rotations or about a half a second per 8K bytes. This performance can be significantly improved by interleaving, a technique that allows the system to read or write more than one sector per rotation.

Suppose the system takes less than three sector times (3 times 32 rotational periods with 256 byte sectors) to digest the data that it has read and to set up the next read operation. This means that if the second logical sector can be physically placed four sectors away from the first one, the controller will be able to read it without much delay. This four-to-one interleave factor will allow a potential reading of the entire track in only four rotations. In the example given, the throughput will be increased by a factor of eight.

The simplest way to determine the optimum interleave for any particular system is through experimentation. If the system maintains its directories or virtual memory-swapping areas in a certain place on the disk, it sometimes makes sense to have **more than one** interleave.

To simplify driver software, the WD1002-05 will automatically map logical sectors to physical sectors to achieve interleave. This logical-to-physical map is recorded during the format operation on each track of the disk in the ID fields of the sectors. Table 7-2 is an example of an interleave table for a 32-sector track with 4:1 interleave and no bad blocks.

The first byte in each byte-pair in Table 7-2 is set to 00. This marks each block as a "good" block. The second byte of each byte-pair is the logical sector number. The first byte pair in Table 7-2 represents the first logical sector of the track. The underlined byte pair represents the second logical sector.

7.6 BAD BLOCK MAPPING

Winchester and thin-film-technology drives often do not have perfect media. Manufacturers allow imperfections in the media to reduce cost which consequently lowers the cost of drives.

The user of the WD1002-05 which interfaces with Winchester and thin-film-technology drives is required to map out any media imperfections. This can be accomplished in various ways, some highly operating-system dependent. Here are a few ideas:

7.6.1 SECTOR PRE-ALLOCATION

If the operating system supports random sector or group allocation, the bad blocks can sometimes be mapped out by recording an un-deletable file, using all the bad sectors on the disk. When the operating system tries to write to the bad block, it will see that the sector or group that contains the error has already been allocated. The operating system will automatically map over the bad sector.

There are some minor restrictions associated with this form of bad-block mapping: the file that contains the bad sector must never be moved to another section of the disk, the bad sector file may not be read (for obvious reasons), and reads or writes to the disk that do not consult the disk allocation map (physical reads/writes) are not allowed.

Table 7-2. Interleave Table with 32 Sectors and 4:1 Interleave

00	00	00	08	00	10	00	18
00	01	00	09	00	11	00	19
00	02	00	0A	00	12	00	1A
00	03	00	0B	00	13	00	1B
00	04	00	0C	00	14	00	1C
00	05	00	0D	00	15	00	1D
00	06	00	0E	00	16	00	1E
00	07	00	0F	00	17	00	1F

Note: The balance of the buffer must be filled with something to start the format operation.

7.6.2 ALTERNATE TRACKS

The alternate-track method works on most operating systems but requires more software overhead. Whenever a read or write is attempted, the track number (cylinder and head select) is checked against a table maintained by the operating system or driver. If the track number matches the table, the driver knows that there is a flaw somewhere on that track and looks up the alternate track for the flawed one. The read or write is then performed elsewhere.

The primary disadvantage of this type of bad-block mapping is the high software overhead. When the system is brought up, the alternate-track table has to be read from a flawless area of the disk. After it has been read, every read or write operation must check the alternate-track table before performing its respective operation.

7.6.3 SPARE SECTORS

The spare-sector method is probably the simplest to implement in most systems. Its primary disadvantage is that at least one sector must be set aside as a spare for each track. During format, the physical sector that contains the flaw is written with some illegal sector number. The physical sector following it contains the real logical sector and its data. Table 7-3 is an interleave table that shows how the user mapped out the fifth physical sector by telling the WD1002-05 to write a logical sector number of FF to it.

Table 7-3. Interleave Table with 32 Sectors and 4:1 Interleave — Physical Sector Five Mapped Out

00	00	00	08	00	10	00	18
00	FF	00	01	00	09	00	11
00	19	00	02	00	0A	00	12
00	1A	00	03	00	0B	00	13
00	1B	00	04	00	0C	00	14
00	1C	00	05	00	0D	00	15
00	1D	00	06	00	0E	00	16
00	1E	00	07	00	0F	00	17

Please note that when formatting the disk in this manner, at least one sector must have an illegal sector number. Also, as one sector has been allocated to bad block mapping, a sector 1F no longer exists.

7.6.4 BAD BLOCK BIT

The WD1002-05 allows the user to set a marker that is recorded into the ID field. When the WD1002-05 attempts to read or write a sector with a bad-block mark set, the operation will be aborted and the error bit in the status register and the bad-block bit in the error register will be set. The size, head, cylinder, sector and ID CRC fields of the selected sector must be correct in order to detect a bad-block mark. This means the ID field must be error-free in order to detect the bad block mark.

Table 7-4 shows an interleave table where the user has marked all the sectors with a bad-block mark and recorded all sectors redundantly. The interleave is not very important here, because it is assumed that the driver will not attempt to read bad sectors sequentially.

Table 7-4. Interleave Table with Redundant Sectors, No Interleave, and All Sectors Marked as Bad Blocks

80	00	80	01	80	02	80	03
80	04	80	05	80	06	80	07
80	08	80	09	80	0A	80	0B
80	0C	80	0D	80	0E	80	0F
80	10	80	11	80	12	80	13
80	14	80	15	80	16	80	17
80	18	80	19	80	1A	80	1B
80	1C	80	1D	80	1E	80	1F
80	00	80	01	80	02	80	03
80	04	80	05	80	06	80	07
80	08	80	09	80	0A	80	0B
80	0C	80	0D	80	0E	80	0F
80	10	80	11	80	12	80	13
80	14	80	15	80	16	80	17
80	18	80	19	80	1A	80	1B
80	1C	80	1D	80	1E	80	1F

SECTION 8

THEORY OF OPERATION

8.1 GENERAL

The WD1002-05 Winchester Floppy Disc Controller (WFC) is a stand-alone general purpose controller board designed to provide a buffer interface between a host controller and a combination of up to three Winchester disc drives and four floppy disk drives. The WD1002-05 is fabricated using a proprietary chip set designed specifically for Winchester Floppy disc control.

The design of the WD1002-05 circuitry implements all of the logic required for host interface, WD1002-05 internal diagnostics, variable length sector buffer, task files, ECC diagnostics and correction, data separation, and WD1002-05 control. The Winchester drive signals from the host controller are based upon the floppy look-alike interface with the Seagate Technology ST506 and other compatible drives. All necessary drive signal decoding for the floppy disc drives is performed solely by the WD1002-05 so that the host controller sees only Winchester drive signal format.

8.2 WD1002-05 ARCHITECTURE AND FUNCTIONAL DESCRIPTION

The internal structure of the WD1002-05, illustrated in Figure 8-1, consists of six major functional blocks as well as all necessary support logic. They are as follows:

1. Host Interface Logic (HIL)
2. Buffer Manager Control Processor (CP)
3. Error Detection and Support Logic (EDS)
4. Sector Buffer (SB)
5. Winchester Disc Drive and Buffer Interface (WDBI)
6. Floppy Disc Drive and Buffer Interface (FDBI)

The host can communicate with the Winchester or floppy disc via the SB. On power-up, the host is required to strobe MR which in turn causes the WD1002-05 to execute a special TEST command that initiates internal diagnostic routines within the WD1002-05 to ensure the functionality of the WD1002-05. The internal diagnostic routines can also be exercised by the host explicitly, in addition to five other macro commands used to execute disk operations. The six macro commands are as follows:

1. TEST
2. RESTORE
3. SEEK
4. READ
5. WRITE
6. FORMAT

Prior to issuing any command to the WD1002-05, the host must first set up command parameters in the task file registers, i.e. sector size, drive select information, sector number accessed, etc. The host must then fill the sector buffer with the required data if either a WRITE or FORMAT command is to be executed by the WD1002-05. The WD1002-05 BUSY status bit is set when the sector buffer has been filled by the host, or immediately upon receipt of any other type of command from the host. The WD1002-05 then executes the command issued, at which time all communications between the host and the WD1002-05 are suspended. The only access available to the host is the ability to poll the status of the BUSY bit. The command issued by the host is read by the CP from the command register in the task file, interpreted, and re-issued to either the Winchester or floppy disk processor, or executed directly by the CP. Upon completion of the command, the WD1002-05 sets the INTRQ/DRQ lines, dependant upon the type of command issued, and clears the BUSY bit. At this time, the host can read status and error information from the task files before issuing another command.

8.2.1 HOST INTERFACE LOGIC (HIL)

The HIL contains the requisite logic to buffer all data/command access between the host, the WD1002-05, the WD1010, and the WD2797 controllers. Bus protocol is exactly the same as the WD1010 Hard Disc Controller device. All data and command information is transferred on an 8-bit DAL bus. This tristate asynchronous bus is controlled by the host, only if the WD1002-05 is not BUSY. The host accesses the WD1002-05 by presenting a stable address (A0-A2) along with a RE or WE strobe qualified by CS. The direction of transfer is determined by the RE and WE signals. For DMA transfers, the WD1002-05 provides a DRQ signal to inform the DMA controller of a pending transfer. HIL also produced INTRQ for interrupts after commands, or to signal a transfer completion for Interrupt Driven Systems. The host may reset the WD1002-05 by asserting MR (if MR is asserted, the WD1002-05 internal diagnostics routine is initiated and the host must wait for BUSY to be cleared before issuing a command to the WD1002-05).

The HIL passes DATA and COMMANDS to the EDS and CP along with processed strobes derived from WE, RE, CS, and A2-A0 signals. HIL receives DATA and STATUS from the EDS and CP along with control information concerning DRQ and INTRQ generation.

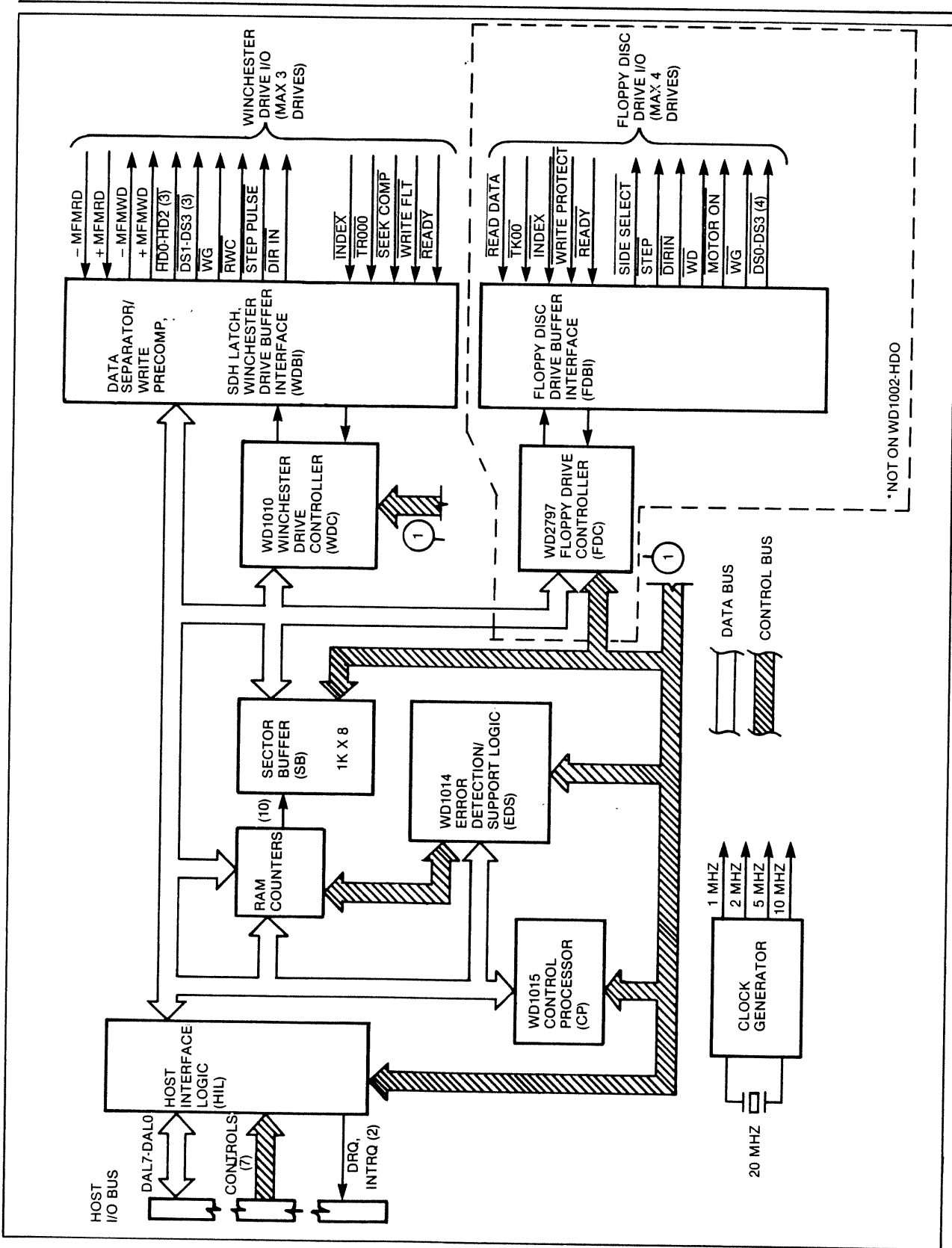


Figure 8-1. WD1002-05/WD1002-HDO Functional Block Diagram

8.2.2 CONTROL PROCESSOR (CP)

The main control center of the WD1002-05 is the CP (WD1015), used in conjunction with the EDS (WD1014) device, the clock generator, and the task files (TSF). The EDS device is the right hand of the CP and of sufficient complexity to be treated as a separate functional entity.

The CP controls the transfer of information within the WD1002-05 and maintains the necessary copies of the TSF found on both drives. Host access to the WD1002-05 causes the CP to access task file information in the TSF after a command is issued. The TSF are physically located in the controller chips and on-board external logic is used to reflect any changes such as error and status information required to integrate the floppy format to that of the Winchester controller. Depending upon the command, the CP will make the buffer accessible to the host, the WD1010, or the WD2797 controllers.

The CP also controls the operation of the Error Correcting logic. During the transfer of data from the host to the WD1010, the EDS monitors the data bus, (if-so enabled), to compute a 4-byte ECC which is appended to the end of the data transferred to the WD1010 and recorded on the disc. During data transfers from the WD1010 to the host, the CP uses the ECC to validate the data. If the data is corrupted, the CP invokes recovery techniques such as retries and correction. A maximum of eight retries are attempted if two consecutive syndromes do not match. Correction is attempted only if two consecutive syndromes match. If the error is uncorrectable, the operation is terminated.

The CP is also used to handle data transfers to and from the SF for the floppy disc controller, which only uses CRC check byte for its data fields.

During status reads by the host, the CP consolidates the normal completion status from the WD1010, the WD2797, and the current EDS status into a form consistent with established WD1010 error reporting format. This consolidated status is then presented to the host.

8.2.2.1 Clock Generator

The 20 MHz oscillator drives the Clock Generator which provides all timing clocks for the WD1002-05.

The crystal frequency divided by 2 is used as a reference clock (2XDR) and then divided again by 2 for a 1X clock (WCLK) which is used to clock the WD1010.

The Floppy Disc Controller (WD2797) operates with a 1 MHz clock for 5.25" drives. 2XDR divided by 10 is used to produce the required 1 MHz clock.

The CP uses a 10 MHz clock (2XDR), giving an instruction cycle time of 1.5 μ s. Most instructions execute in 3.0 μ s, or two cycles.

8.2.2.2 Task/Syndrome File (TSF)

The TSF provides on-chip storage of the required task files for the WD1010/WD2797 controllers, and the 4 bytes of syndrome used for ECC. The check/syndrome bytes are physically stored in the ECC generator/checker. The WD1014 (EDS) maintains its own command register which serves also as an error register upon command completion. All other registers comprising the TSF are physically part of the WD1010 and WD2797 controllers. The CP controls all access to the TSF. Refer to separate sections on task files for their use.

8.2.3 ERROR DETECTION AND SUPPORT LOGIC (EDS)

The WD1014 EDS chip provides the WD1002-05 with Error Correction Capabilities (ECC) and support logic. The EDS chip is a single chip device specifically designed to add ECC to the 5.25" Winchester disc drives. The EDS also contains three 8-bit registers, three counters, and several latches that enhance the CP capabilities for control functions in a real time operation. This 40 pin chip replaces approximately 35 TTL packages consisting of shift registers, flip-flops, and combinatorial logic gates.

8.2.3.1 Error Detection

The EDS processes all data transfers in either direction between the SB and the WD1010, if SDH bit 7 is set. This bit should only be set for hard disc operation. The EDS generates the ECC/SYNDROME bytes by using a polynomial division process which can provide unique code words for long streams of data. The polynomial selected is a computer generated code optimized for sector sizes of 128, 256, 512, and 1024 byte data fields. During Normal/Write operation, this division process produces a 32-bit remainder which is used as the four ECC bytes. In Normal/Read operation, the ECC bytes are recomputed and compared to the recorded ECC bytes to generate the Four SYNDROME bytes. If the syndrome is zero, there were no errors detected. Otherwise, the non-zero syndrome is used by the CP to compute the displacement of the error vector within the bad sector. This information is then used to correct the data if a single burst of no more than 5 bits in error occurred.

During a WRITELONG operation, the EDS is inhibited from computing the 32 bit ECC word. The EDS then accepts a 32-bit appendage from the host and passes

it on, unaltered, to the WD1010 to be recorded on the disk. This permits the host to induce errors anywhere in the data stream so that the operation of the EDS can be validated during a subsequent READSHORT operation.

During a READLONG operation, the EDS is inhibited from producing a syndrome. Instead, it copies the recorded ECC check bits and passes them unaltered to the host, appended to the end of the sector data being read. As with WRITELONG, this command is useful when validating EDS performance.

The EDS uses a 2-bit serial implementation of the generator polynomial during ECC generation and error detection. During correction operations, a serial reverse polynomial is used by the CP to compute the error vector and displacement. Correctable errors are corrected in the buffer without host intervention. Uncorrectable errors are reported to the host and the uncorrected data is transferred to the host for further action.

8.2.3.2 Support Logic

The support logic consists of two 8-bit latches (command/error register and SDH latch). Data requests, interrupts, BUSY, multiple mode, and read command information is also maintained and updated in the WD1014 to enhance the capability of the CP to handle control functions in real time.

The EDS controls the buffer counter, incrementing and presetting due to commands from the host, and contains all the necessary logic to handle sector buffer overflow. Data, buffer addresses, and Drive/Head select control are handled by the same multiplexed 8-bit address and data bus.

8.2.4 SECTOR BUFFER (SB)

The SB is used to buffer a sector of data being transferred to or from the host. The sector size may be programmed for 128, 256, 512, or 1024 bytes. Thus, the minimum RAM size required is 1KX8. The address counters are controlled by the CP and EDS. All control signals for SB access are provided by the WD1010, or the CP when communicating with the floppy controller (WD2797).

8.2.5 WINCHESTER DRIVE AND BUFFER INTERFACE (WDBI)

The WDBI consists of the Winchester Disc Controller (WD1010), an 8-bit SDH latch, write precomp logic (WPC), data separator, and appropriate drivers and receivers. The WD1010 is connected to the Winchester drives and the SB by means of 20 signal lines that form the WDBI. As previously mentioned, the

WD1002-05 uses a multiplexed data/address bus to share SB access and control lines with the WD1010. Proper use of this interface results in having only a presettable counter to control the buffer and a latch/decoder to control up to three Winchester drives. The counter is preset using two separate strobes, one for each byte of the address, one 8-bit counter package provides addressing capability for a 128 or 256 byte sector buffer size. By using more than one counter package, the WD1002-05 permits a multiple sector buffer size of 64K bytes. The SDH latch is used to provide drive selects 1-3 and head selects 0-7.

8.2.5.1 Write Precompensation (WPC)

The generation of Modified Frequency Modulation (MFM) write data takes place in the WD1010. This device accepts a byte of data and a WCLK to produce MFM data through internal circuitry which decides when and where to write clocks and data on the data stream under the MFM encoding rules. The MFM data stream is now totally compatible with the recording rules and may be sent to suitable line drivers for transmission to the drive except for one modification. Due to the decreasing radius on the physical surface of the disk, the inside tracks have less circumference and therefore exhibit an increase in recording flux density over the outside tracks. This increase in flux density aggravates a problem in magnetic recording known as 'dynamic bit shift.'

Dynamic bit shift comes about as the result of one bit on the disk (a flux reversal) influencing an adjacent bit. The effect is to shift the leading edge of both bits closer together or further apart than recorded. The net result is that enough jitter is added to the data recorded on the inside tracks to make them harder to recover without error.

Write precompensation is used to reduce the effect of dynamic bit shift. It is a way of predicting which direction a particular bit will be shifted and intentionally writing that bit out of position in the opposite direction to the expected shift. This is done by examining the next two data bits, the last and the present bits to be written and producing three signals depending on what these bits are. The three signals are EARLY, LATE and NOMINAL. They are used in conjunction with a delay line to cause the leading edge of a data or clock bit to be written earlier, later, or on time.

The processor can enable or disable the generation of these signals by controlling the Write Pre-Comp (WPC) line from the addressable latch. When WPC is high, precomp is in effect. When WPC is low, no precomp is generated and the nominal output of the device is held true.

8.2.5.2 Data Separator

Data is recorded on Winchester discs using an MFM technique. This technique requires clock bits to be recorded only when two successive data bits are missing in the serial data stream. The fact that clock bits are not recorded with every data bit cell requires circuitry that can remain in sync with data during the absence of clock bits. Synchronous decoding of MFM data streams requires the decoder circuitry to synthesize clock bit timing when clock bits are missing and synchronize to clock bits when they are present. This is accomplished by using a phase-locked oscillator employing an error amplifier and filter to sync onto and hold a specific phase relationship to the data and clock bits in the data stream. The phase-lock occurs at $2x$ average data rate frequency (f_0), which in turn is used to synthesize a clock called RCLK with a frequency = $1/2 f_0$. This synthesized clock can then be used to separate data bits from clock bits with external logic to shift the resultant serial data into registers for byte parallelization within the WD1010.

8.2.6 FLOPPY DRIVE AND BUFFER INTERFACE (FDBI)

The FDBI consists of a Floppy Disc Controller (WD2797), a drive select latch, head load, motor-on, buffer management logic, and appropriate drivers and receivers. The write precomp and data separator are internal to the WD2797. The WD1002-05 can support up to four 5.25" floppy drives, double density and single or double sided (WD1002-05 only).

SECTION 9 MAINTENANCE

9.1 GENERAL

When the board is shipped from the factory, all adjustments have been made using ST506 and SA450 drives. The user need not make any adjustments if the drives supported are compatible with the fore-mentioned drives.

There are four adjustments associated with the WD1002-05 on-board data separation/write precomp circuitry and V_{CO} that might have to be made if a drive with a different data rate is installed. On the WD2797, the write precompensation value is adjustable and the data separator might have to be adjusted for drives of different data rates.

9.2 OSCILLATOR FREQUENCY

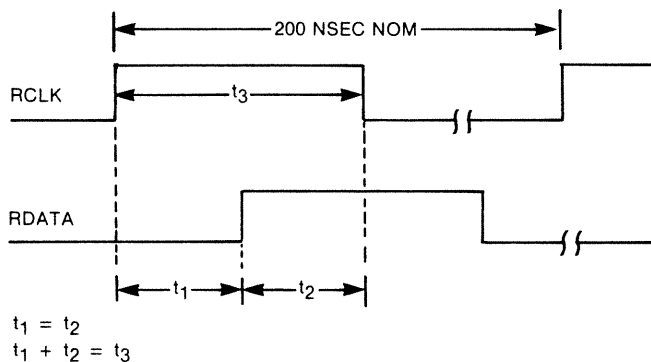
Data separation circuitry on the WD1002-05 uses a voltage-controlled oscillator (V_{CO}) which phase-locks onto incoming data and provides a clock suitable for separating data and clock bits on an MFM-encoded data stream. The V_{CO} must be adjusted using the following procedures:

Connect a frequency counter to Test Connector U30-10 (V_{CO} OUT).

Connect a DVM to Test Connector U30-1 (V_{Ci} IN).

Make all connections to the board, including the host and drive. Adjust the variable capacitor C19 until the frequency output locks onto the desired center frequency for the drive being used which is 10.000 MHz for ST506 or compatible drive. Once this "locked-on" frequency is achieved, continue the same adjustment for an input voltage of 2.5 ± 0.5 V.

To complete the adjustment, monitor RCLK and RDATA inputs to the WD1010 (U19-39,37 respectively) and fine tune variable capacitor C19 until the rising edge of RDATA is exactly centered in either Half Phase or RCLK.



9.3 WD2797 ADJUSTMENT PROCEDURE

WRITE PRECOMPENSATION

Strobe MR (U15-19).

Jumper across E3-E4.

Observe pulse width on WD (U15-31).

Adjust WPW (U15-33/R24) for desired pulse width (Precomp Nominal Value).

DATA SEPARATOR

Observe pulse width on TG43 (U15-29).

Adjust RPW (U15-18/R25) for 1/8 of the read clock (500 ns for 5.25" DD).

Observe frequency on DIRC (U15-16).

Adjust variable capacitor (C7) on V_{CO} pin (U15-26) for Data Rate (250 KHz for 5.25" DD)

Remove jumper between E3-E4.

Note: To maintain interval V_{CO} operation, insure that $\overline{TEST} = 1$ whenever a Master Reset pulse (\overline{MR}) is applied.

9.4 TEST/OPERATION JUMPER VARIATIONS

- | | |
|-------------------|--|
| 1. E1 to E2 | N.A. |
| 2. E16 to E15 | N.A. |
| 3. E4 to E3 | Normally open. Ground for Floppy Write Precomp/Data Separator adj. only. |
| 4. E8/E10 to E9 | GND (E8-E9) = No Write Precomp.
Open = Write Precomp always.
E10 to E9 = Write Precomp above TG43. |
| 5. E5/E7 to E6 | E5 to E7 = Normal READY latch.
E6 to E7 = If FRDY line available from Floppy drive. |
| 6. E11 to E12 | GND = 40msec MOM delay.
OPEN = 1 sec MOM delay. |
| 7. E13 to E14 | N.A. |
| 8. E17/E19 to E18 | E18 to E19 = 10 MHz.
E18 to E17 = 20 MHz. |
| 9. E20 to E21 | N.A. |
| 10. E22 to E23 | N.A. |
| 11. E24 to E25 | N.A. |

APPENDIX A

DISK DRIVER EXAMPLES

A.1 INTRODUCTION

The two sample disk drivers presented in this appendix are intended to serve as a catalyst to help the user set up his own first driver. Note that although the drivers shown are simplistic, they represent everything needed to satisfy WD1002-05 operating requirements. Retry software is not included in the examples because all necessary retries are performed by the WD1002-05.

The first example shown is a programmed I/O and polled status driver using the 8-bit Intel 8085 microprocessor. The second example is of a programmed I/O and interrupt driven driver and is written for the 16-bit Western Digital WD16 microprocessor.

A.2 POLLED STATUS DRIVER

```
*****  
;~  
;           WD1002-05 Hard Disk Controller Driver  
;           Example for 8085 Microprocessor  
;           with programmed I/O and polled status  
;~  
*****
```

;This driver is intended to demonstrate one simple approach to writing a driver for the WD1002-05. It assumes that the WD1002-05 is interfaced using programmed I/O without interrupts.

;The specifications of the imaginary demonstration drive are:

```
;Sector size:           256 bytes  
;Sectors per track:    33  
;Surfaces per drive:   4 (two platters)  
;Cylinders per drive:  512  
;Stepping rate:       2 milliseconds  
STRATE = 2             ;Define stepping rate for assembler
```

;As the WD1002 is being allowed to map around the bad blocks, one sector per track has to be sacrificed. This brings down the logical sector per track count to 32.

;Experienced systems programmers will note that the driver is not being made as flexible as it should be. As WD1002-05 compatible drives will be introduced in the future, and present manufacturers will be increasing the density of their current drives, the driver written should be built with sufficient equates and conditional assemblies.

;The imaginary operating system of this example can access up to 65536 logical records of 256 bytes each. It has three types of calls: initialize, read, and write. Three numerical parameters are passed in the following registers:

```
;   Drive number           C  
;   Logical record number  DE  
;   Transfer address       HL
```

;Upon completion of all commands, the carry bit of the 8085 will be reset if the operation terminated properly and set if there was an error. If there was an error during read or write, the error-handling routine will decode it and print it out on the user console.

```

;*****;
;
;      EQUATES
;
;*****;

```

```

;*** Port Definition ***

```

```

BASADD = OC8           ;Base address of WD1002-05
DATA   = BASADD       ;Data register
ERROR  = BASADD + 1   ;Error Register
WPC    = BASADD + 1   ;Write Precomp
SECNT  = BASADD + 2   ;Sector Count
SECNO  = BASADD + 3   ;Sector Number
CYLLO  = BASADD + 4   ;Cylinder Number
CYLHI  = BASADD + 5   ;Cylinder High
SDH    = BASADD + 6   ;Size/Head/Drive
STATUS = BASADD + 7   ;Status register
COMND  = BASADD + 7   ;Command register

```

```

;*** Command Definition ***

```

```

REST   = 10           ;Restore command
READ   = 20           ;Read command (programmed I/O mode)
WRITE  = 30           ;Write command

```

A.2.1 INITIALIZATION

```

;*****;
;
;      INITIALIZE
;
;*****;

```

;This routine is called once whenever the system is powered up or reset.
;It sets the stepping rate and restores the head on the selected drive.

```

RESTOR:  CALL    UPTASK           ;Select drive, don't care about record
          MVI    A,REST + <STRATE*2> ;Get stepping rate and restore
          OUT    COMND           ;Output command to WD1002-05
RSWAIT:  IN     STATUS           ;Wait 'till restore done
          ANA    A               ;by updating sign flag in 8085
          JM     RSWAIT          ;and wait 'till bit 7 (Busy) goes low
          RAR                    ;Put error bit in carry
          RET                    ;Return to operating system

```

A.2.2 READ SECTOR

```

;*****;
;
;      READ
;
;*****;

```

;This is the read routine for the imaginary operating system.

```

READIT:  CALL    UPTASK           ;Update WD1002-05 task file
          MVI    A,READ           ;Get READ command
          OUT    COMND           ;Output command to WD1002-05
;Wait for WD1002-05 to read in a sector
RWAIT:   IN     STATUS           ;Check Busy bit
          ANA    A               ;by updating sign flag in 8085
          JM     RWAIT          ;and wait 'till bit 7 goes low

```

```

;Transfer sector from WD1002-05 to system memory
;(Transfer address in HL)

```

```

READLP:  MVI    B,0           ;Init byte counter to 256 bytes
         IN     DATA       ;Get a byte of data from WD1002-05
         MOV    M,A         ;Move it to memory
         INX   H           ;Increment memory pointer
         DCR   B           ;Decrement byte counter and continue
         JNZ   READLP      ;if we haven't transferred 256 yet
         IN   STATUS       ;Re-read status for errors
         JMP   DONE        ;Now check the completion status

```

A.2.3 WRITE SECTOR

```

;*****;
;          WRITE          ;
;*****;

```

```

;This is the write routine for the driver

```

```

WRITIT:  CALL   UPTASK      ;Update WD1002-05 task file
         MVI   A,WRITE     ;Get WRITE command
         OUT  COMND        ;Output command to WD1002-05

```

```

;Transfer sector from system memory to WD1002-05
;(Transfer address in HL)

```

```

WRITLP:  MVI    B,0           ;Init byte counter to 256 bytes
         MOV    A,M         ;Get a byte of data from memory
         OUT   DATA       ;Move it to WD1002-05
         INX   H           ;Increment memory pointer
         DCR   B           ;Decrement byte counter and continue
         JNZ   WRITLP      ;if we haven't transferred 256 yet

```

```

;Wait for WD1002-05 to write the sector

```

```

WWAIT:   IN     STATUS      ;Check Busy bit
         ANA   A           ;by updating sign flag in 8085
         JM   WWAIT        ;and wait 'till bit 7 goes low

```

```

;*****;
;          DONE          ;
;*****;

```

```

;Both READ and WRITE commands finish here to check for errors

```

```

DONE:    RAR             ;Rotate Error bit to carry
         RNC             ;and return to OS if no error
         IN   ERROR      ;Get WD1002-05 error code

```

```

;<<

```

```

         STC             ;Set carry to flag an error
         RET            ;and return to OS with error

```

A.2.4 TASK FILE UPDATING

```

;*****;
;          UPTASK SUBROUTINE          ;
;*****;

```

;This subroutine sets up the task file registers

;Sector number

```

UPTASK:  MOV    A,E           ;Get lower 8 bits of record number
          ANI    31.         ;Mask off lower 5 bits (bits 0-4)
          OUT    SECNO       ;and send to sector number register

```

;Size/Drive/Head

```

          MOV    A,E           ;Get lower 8 bits again
          RLC                    ;Rotate remaining 3 bits
          RLC                    ;to get an effective right shift of 5
          RLC                    ;Mask off next two bits (5-6)
          ANI    3.           ;to make head number
          MOV    B,A           ;and store it away momentarily
          MOV    A,C           ;Get drive number
          ADD    A             ;and left shift it by 3
          ADD    A
          ADD    A
          ORA   B             ;OR in head number and
          ORI   80            ;OR in ECC flag and size field
          OUT    SDH          ;send it to Size/Drive/Head register

```

;Cylinder low

```

          MOV    A,E           ;Get last bit of lower record number
          RAL                    ;and put it in carry
          MOV    A,D           ;Get upper half of record number
          RAL                    ;Left shift it and merge in carry
          OUT    CYLLO        ;Send it to lower cylinder register

```

;Cylinder high

```

          MVI    A,O           ;Clear all bits except for the
          RAL                    ;the least significant and send
          OUT    CYLHI        ;to the upper cylinder register
          RET
          END

```

A.3 INTERRUPT DRIVEN DRIVER

```

;*****;
;          WD1002-05 Hard Disk Controller Driver          ;
;          Example for the Western Digital                ;
;          WD16 Microprocessor                            ;
;          using interrupts and programmed I/O            ;
;*****;

```

;This example driver demonstrates the type of driver that would be
;used in a multitasking environment. Like the 8085 driver, it uses pro-

```

;grammed I/O for data transfers. Unlike the last driver, this one
;supports interrupts.
;This new driver uses the same drive used in the 8085 example.
;Like the last driver, this one can access up to 65536 logical records
;of 256 bytes each. It still has three types of calls: initialize, read,
;and write. Three numerical parameters are passed in the following
;registers:

```

```

;   Drive number           R1
;   Logical record number  R2
;   Transfer address       R3

```

```

;Upon completion of all commands, the carry bit of the WD16 will be
;reset if the operation terminated properly and set if there was an
;error. If there was an error during read or write, the error-handling
;routine will decode it and print it out on the user console.

```

```

;*****
;
;   EQUATES
;
;*****

```

```

;*** Port Definition ***

```

```

BASADD = OFFD8           ;Base address of WD1002-05
DATA   = BASADD         ;Data register
ERROR  = BASADD + 1     ;Error Register
WPC    = BASADD + 1     ;Write Precomp
SECNT  = BASADD + 2     ;Sector Count
SECNO  = BASADD + 3     ;Sector Number
CYLLO  = BASADD + 4     ;Cylinder Number
CYLHI  = BASADD + 5     ;Cylinder High
SDH    = BASADD + 6     ;Size/Head/Drive
STATUS = BASADD + 7     ;Status register
COMND  = BASADD + 7     ;Command register

```

```

;*** Command Definition ***

```

```

REST   = 10             ;Restore command
READ   = 20             ;Read command (programmed I/O mode)
WRITE  = 30             ;Write command

```

```

;*** Drive stepping rate ***

```

```

STRATE = 2              ;Drive stepping rate

```

A.3.1 INITIALIZATION

```

;*****
;
;   INITIALIZE
;
;*****

```

```

;This routine is called once whenever the system is powered up or reset.
;It sets the stepping rate and restores the head on the selected drive.

```

```

RESTOR: CALL UPTASK           ;Select drive, don't care about record

```

```

;As a multitasking computer is being interfaced with,
;the calling job should be put to sleep while the restore is being done.
;The SLEEP instruction in this listing is actually a monitor call to

```

;the operating system which does the dirty work. Once the WD1002-05 has
 ;completed the restore, it will interrupt the CPU and the interrupt
 ;routine will wake the job. Putting the job to sleep will allow other
 ;tasks to use the CPU while the restore is in progress.

```

LOCK                                ;Disable interrupts until sleep
MOV      #REST + <STRATE*2>, @#COMND ;Get stepping rate and restore
                                                ;and output command to WD1002-05

SLEEP  IOWAIT                        ;Put job in an I/O wait state
MOVB   @#STATUS,RO                  ;Get status register
RORB   RO                            ;Put error bit in carry
RTN                                          ;Return to operating system

```

A.3.2 READ SECTOR

```

;*****;
;      READ      ;
;*****;

```

;This is the read routine for the imaginary operating system.

```

READIT:  CALL    UPTASK                ;Update WD1002-05 task file
         LOCK    ;Disable interrupts 'til we go to sleep
         MOVB   #READ, @#COMND        ;Issue READ command to WD1002-05

```

;Wait for WD1002-05 to read in a sector

```

SLEEP  IOWAIT                        ;While waiting, go into I/O wait state

```

;After wakeup, transfer sector from WD1002-05 to system memory
 ;(Transfer address in R3, WD1002-05 data register address in R4)

```

MOV     #256.,RO                      ;Init byte counter to 256 bytes

```

;The following instruction, MABB (Move Address to Block of Bytes), does
 ;a block move by reading the data pointed to by R4 (WD1002-05 data
 ;register) and puts them in a block of memory pointed to by R3. R0 bytes
 ;are moved.

```

MABB   R4,R3                          ;Move data from WD1002-05 to memory
BR     DONE                             ;Now check the completion status

```

A.3.3 WRITE SECTOR

```

;*****;
;      WRITE     ;
;*****;

```

;This is the write routine for the imaginary driver

```

WRITIT: CALL    UPTASK                ;Update WD1002-05 task file
         MOVB   #WRITE, @#COMND      ;Issue WRITE command to WD1002-05

```

;Transfer sector from system memory to WD1002-05
 ;(Transfer address in R3, WD1002-05 data register address in R4)

```

MOV     #256.-1.,RO                   ;Init byte counter to 256-1 bytes

```

;The following instruction, MBBA (Move Block of Bytes to Address) is the
 ;converse of the MABB instruction, above. This time the block of memory
 ;pointed to by R3 will be moved to the WD1002-05 data register (pointed to
 ;by R4). R0 bytes will be moved.

```

MBBA    R3,R4                ;Move most of the data
LOCK                    ;Disable ints. 'till last byte xferred
MOVB    @R3,@R4            ;Write last byte of data to WD1002-05
;Wait for WD1002-05 to write the sector
SLEEP   IOWAIT             ;Wait in I/O wait state

```

```

;*****;
;      DONE                ;
;*****;

```

```

;Both READ and WRITE commands finish here to check for errors
DONE:   MOVB    @#STATUS,R0    ;Get status byte from WD1002-05
        RORB    R0             ;Rotate Error bit to carry
        BCC     DONEOK        ;and return to OS if no error
        MOVB    @#ERROR,R0    ;Get WD1002-05 error code
;<<<Place error reporting routine here>>>
DONEOK: LCC     CARRY          ;Set carry to flag an error
        RTN                    ;and return to OS with error

```

A.3.4 TASK FILE UPDATING

```

;*****;
;      UPTASK SUBROUTINE   ;
;*****;

```

```

;This subroutine sets up the task file registers
;Sector number

```

```

UPTASK: MOV     R2,R0          ;Get record number
        AND     #31.,R0       ;Mask off lower 5 bits (bits 0-4)
        MOV     #SECNO,R4     ;Index WD1002-05 sector number register
        MOVB    R0,(R4) +    ;and send to sector number register
                                ;and increment R4 to point to WD1002-05
                                ;Cylinder Low register

```

```

;Size/Drive/Head

```

```

;(The following instruction does a right arithmetic shift 5 times)

```

```

        SSRA    R2,5          ;Discard SECNO bits from record number
        MOV     R2,R0         ;Get remaining record number bits
        AND     #3.,R0       ;Mask off bits 5-6 to make head number

```

```

;(The following instruction does a left arithmetic shift 3 times)

```

```

        SSLA    R1,3          ;Shift drive number into position
        OR     R1,R0         ;OR drive number and head together
        OR     #80,R0        ;OR ECC flag and sector size field
        MOVB    R0,@#SDH     ;send it to Size/Drive/Head register

```

```

;Cylinder Low

```

```

        SSRA    R2,2          ;Discard HEAD bits from record number
        MOVB    R2,(R4) +    ;Send Cylinder Low to WD1002-05 and
                                ;increment R4 to point to Cylinder High

```

;Cylinder High

;(The following instruction SWAPs the upper and lower Byte of a word)

```
SWAB    R2                ;Get upper byte of cylinder
AND     #1,R2             ;Mask to least significant bit
MOVB   R2,(R4)           ;and send it to WD1002-05
MOV    #DATA,R4         ;Index WD1002-05 Data Reg for RW ops
RTN
```

A.3.5 INTERRUPT SERVICE ROUTINE

```
*****;
;      INTERRUPT SERVICE ROUTINE      ;
*****;
```

;This routine gets called whenever the WD1002-05 interrupts. All it does is
;read the status register of the WD1002-05 to clear INTRQ and revives the
;original calling job.

```
INTSER:  PUSH    R0                ;Save this register
         MOVB   @#STATUS,R0       ;Acknowledge the interrupt to WD1002-05
         WAKEUP IOWAIT           ;Wake up job (from I/O wait state)
         POP    R0
         RTT                    ;Return from trap
         END
```


APPENDIX B

INTERLEAVE CALCULATING

This BASIC program simplifies the process of generating interleave tables. It is written in a fairly standard subset of the BASIC language and should run on many BASIC interpreters and compilers. Some implementations of BASIC may require the variable names to be converted to single letter names and the IF THEN ELSE constructs may have to be rewritten.

The two questions at the beginning of the program should be answered in decimal. The interleave table is printed in hexadecimal.

BASIC INTERLEAVE CALCULATING PROGRAM

```
10 PRINT "WD1002-05 Interleave calculating program"
20 PRINT
30 INPUT "Number of sectors? ";COUNT
40 INPUT "Interleave Factor? ";INTER
50 DIM HEX$(16),SECTOR(COUNT)
60 FOR INDEX = 1 TO 16
70 READ HEX$(INDEX)
80 NEXT
90 FOR INDEX = 1 TO COUNT
100 SECTOR(INDEX) = - 1
110 NEXT
115 RES = 0
120 FOR INDEX = 0 TO COUNT - 1
130 IF RES >= COUNT THEN RES = RES - COUNT
140 IF SECTOR(RES + 1) = - 1 THEN SECTOR(RES + 1) = INDEX ELSE RES = RES + 1:G
150 RES = INTER + RES
160 NEXT
170 PRINT
180 PRINT "Interleave table with";COUNT;"sectors and";INTER;" : 1 interleave"
190 FOR INDEX = 1 TO COUNT
200 X = INT(SECTOR(INDEX)/16)
210 PRINT HEX$(X + 1);HEX$(SECTOR(INDEX) - X*16 + 1),
220 NEXT
230 PRINT
240 DATA 0,1,2,3,4,5,6,7,8,9,A,B,C,D,E,F
250 END
```


APPENDIX C

CALCULATING SECTORS PER TRACK

Changes in WD1002-05 compatible disk drives consisting of higher bit-packing densities and higher accuracy spindle motors will increase the amount of data that can be put on a track. This appendix will help users determine the maximum number of sectors that can be recorded on their disk drive.

The unformatted byte capacity can be figured from this formula:

$$\text{Capacity} = \text{Bits per second} / \text{Revolutions per second} \times (1 - \text{Error}) / 8$$

Assuming a hypothetical drive (the same one as in the disk driver examples) with a data rate of 5M bits per second, a revolution rate of 3600 RPM, and a spindle speed accuracy of 3%, these values applied to the foregoing formula yield:

$$10,104 = 5,000,000/60 \times (1 - 0.03)/8$$

To be on the safe side, a fractional value will always be rounded down. The unformatted capacity of this drive is 10,104 bytes. To figure the number of sectors per some number of bytes apply this formula:

$$\text{Sectors} = \text{Capacity} / (\text{Data field size} + \text{Gap3} + \text{Check bytes} + \text{Other overhead})$$

Using 512 byte sectors with a Gap3 size of 30 bytes, running ECC results in:

$$17 = 10,104 / (512 + 30 + 4 + 41)$$

The BASIC program on the next page can be used to automate the sector-per-track calculations presented here.

BASIC SECTORS PER TRACK UTILITY

```
10 PRINT "WD100X Sectors per Track Calculating Utility"
20 PRINT
30 INPUT "Data rate of drive in bits per second: "; DATARATE
40 INPUT "Revolutions per minute: "; RPM
50 INPUT "Rotational speed error in percent: "; RERROR
60 CAPACITY = INT(DATARATE/RPM*60*(1 - RERROR/100)/8)
70 PRINT "Unformatted capacity is "CAPACITY" bytes."
80 PRINT
90 INPUT "Data field size in bytes (128, 256, etc.): "; SIZE
100 INPUT "Formatted with CRC or ECC: "; ECCMODE$
110 ECCMODE$ = LEFT$(UCS(ECCMODE$),1)
120 IF ECCMODE$ <> "E" AND ECCMODE$ <> "C" THEN 100
130 IF ECCMODE$ = "E" THEN CHECKBYTES = 4 ELSE CHECKBYTES = 2
140 IF SIZE > 256 THEN GAP3 = 30 ELSE GAP3 = 15
150 SECTORS = INT(CAPACITY/(SIZE + GAP3 + CHECKBYTES + 41))
160 PRINT "Formatted capacity is "; SECTORS*SIZE;" bytes per track using ";
170 PRINT SECTORS;" sectors per track."
180 END
```


APPENDIX D

PROGRAMMER'S QUICK REFERENCE

D.1 TASK FILE

BSY	$\overline{CS0}$	A2	A1	A0	\overline{RE}	\overline{WE}
1	X	X	X	X	Deselected	Deselected
0	0	0	0	0	Data Register	Data Register
0	0	0	0	1	Error Register	Write Precomp*
0	0	0	1	0	Sector Count	Sector Count
0	0	0	1	1	Sector Number	Sector Number
0	0	1	0	0	Cylinder Low	Cylinder Low
0	0	1	0	1	Cylinder High**	Cylinder High**
0	0	1	1	0	Size/Drive/Head	Size/Drive/Head
0	0	1	1	1	Status Register	Command Register

* Not used on floppies

** LSB of cylinder high, if set to 1, permits a 48 t.p.i. floppy disk to be read on a 96 t.p.i. floppy disk system.

D.2 VALID COMMANDS

TYPE	COMMAND	BITS							
		7	6	5	4	3	2	1	0
I	Test	1	0	0	1	0	0	0	0
I	Restore	0	0	0	1	r ₃	r ₂	r ₁	r ₀
I	Seek	0	1	1	1	r ₃	r ₂	r ₁	r ₀
II	Read Sector	0	0	1	0	D	M	L	0
III	Write Sector	0	0	1	1	0	M	L	0
III	Format Track	0	1	0	1	0	0	0	0

D.3 SDH REGISTER FORMAT

Bit	7	6	5	4	3	2	1	0
Function	CRC/ ECC	Sec Size		Drive Select		Head/Drive Select		

Bit 6	Bit 5	Sector Size
0	0	256 Bytes
0	1	512 Bytes
1	0	1024 Bytes
1	1	128 Bytes

Bit 4	Bit 3	Drive Selected (decoded & latched)
0	0	Drive Sel 1
0	1	Drive Sel 2
1	0	Drive Sel 3
1	1	Floppy Dr Sel

Bit 2	Bit 1	Bit 0	Head Selected Hard Disk
0	0	0	Head 0
0	0	1	Head 1
0	1	0	Head 2
0	1	1	Head 3
1	0	0	Head 4
1	0	1	Head 5
1	1	0	Head 6
1	1	1	Head 7

Bit 2	Bit 1	Bit 0	Floppy Drive & Head Select
0	0	0	FD1 — HS0
0	0	1	FD1 — HS1
0	1	0	FD2 — HS0
0	1	1	FD2 — HS1
1	0	0	FD3 — HS0
1	0	1	FD3 — HS1
1	1	0	FD4 — HS0
1	1	1	FD4 — HS1

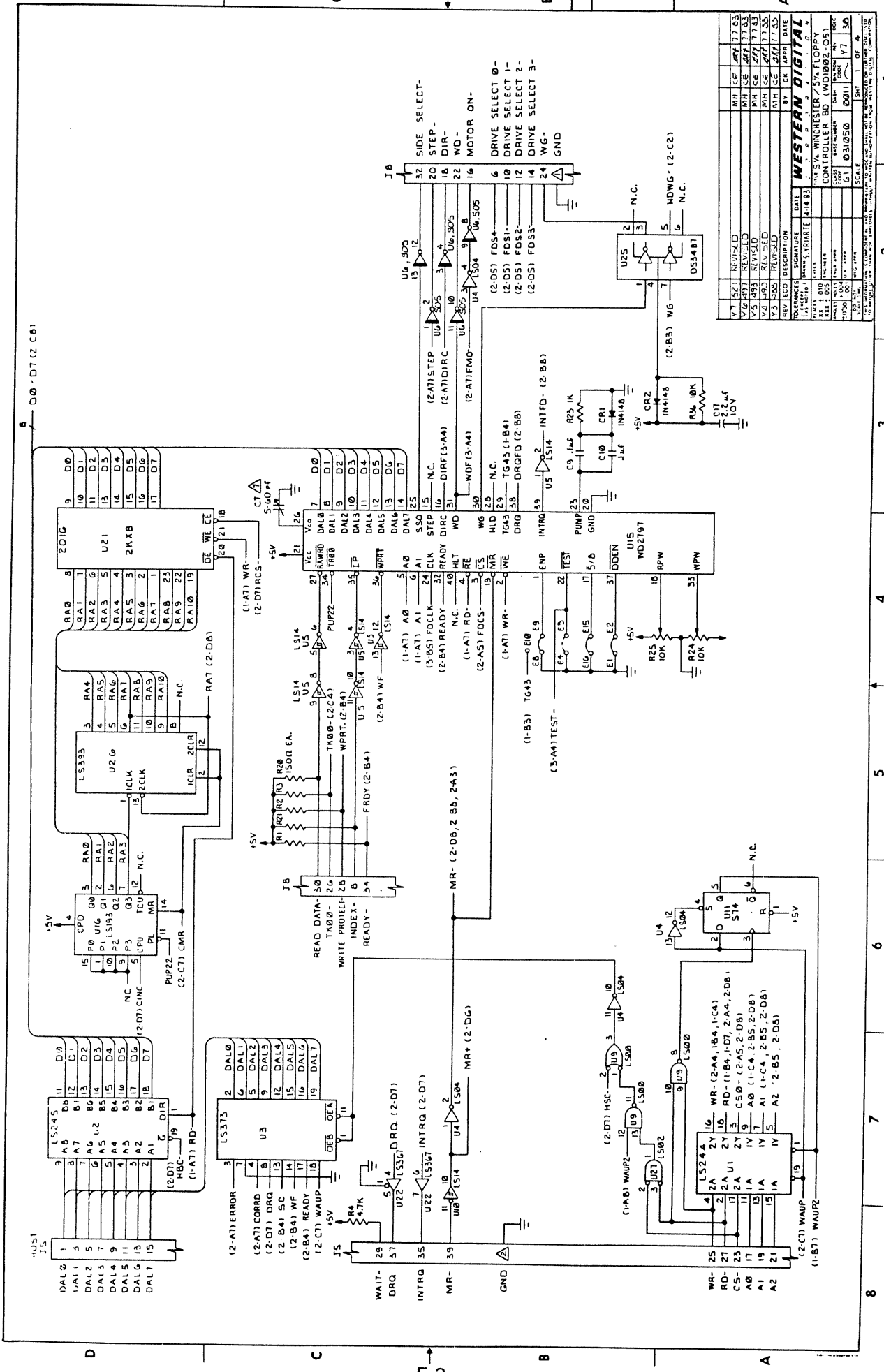
D.4 STATUS AND ERROR REGISTER BITS

Bit	Status Register	Error Register
7	Busy	Bad Block Detect
6	Drive Ready	Uncorrectable Error
5	Write Fault	—
4	Seek Complete	ID Not Found
3	Data Request	—
2	Corrected	Aborted Command
1	Not used	TR000 Error
0	Error	DAM not found

APPENDIX E
LSI DATA SHEETS

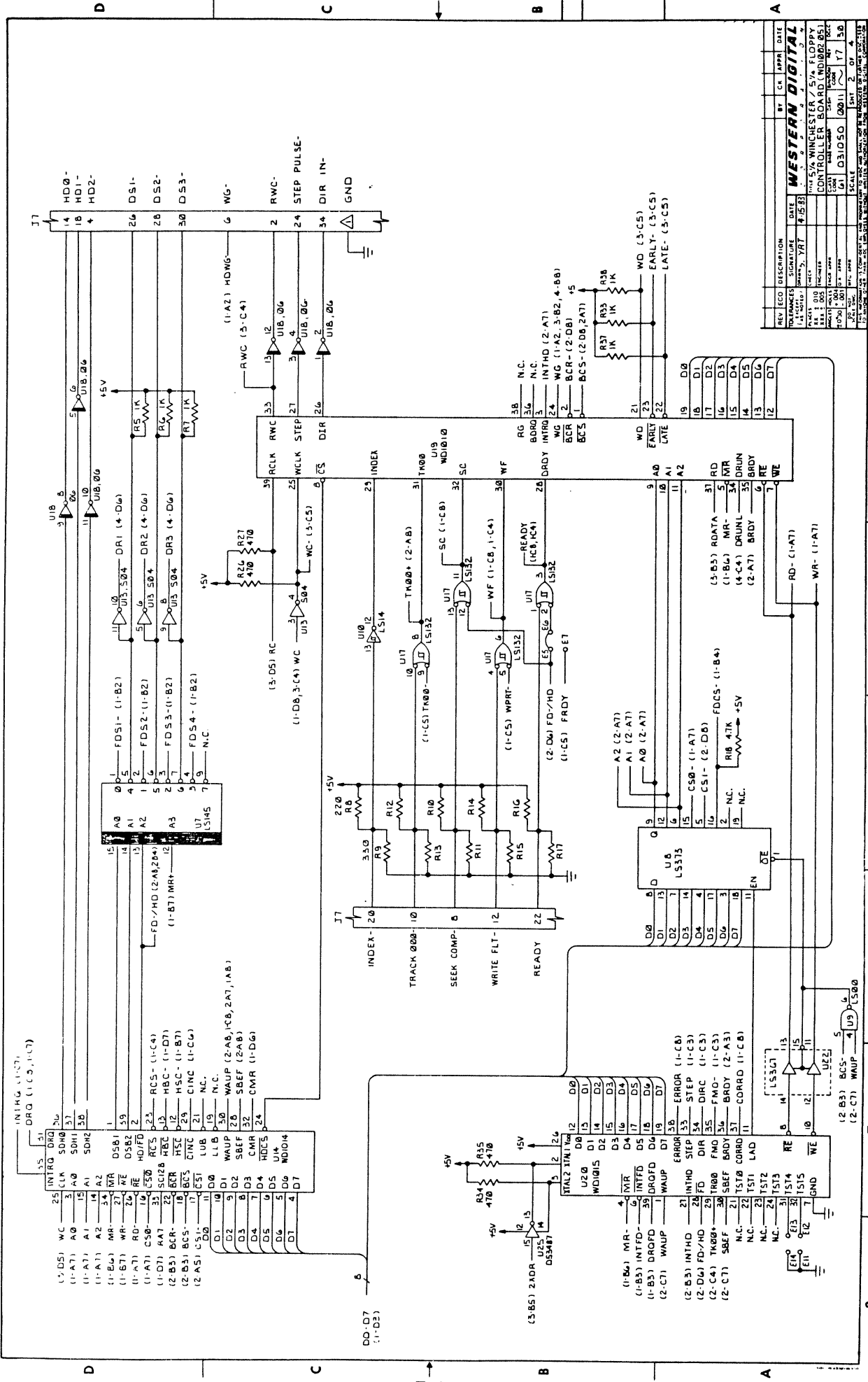
(to be supplied)

APPENDIX F
SCHEMATICS AND ASSEMBLY DIAGRAMS

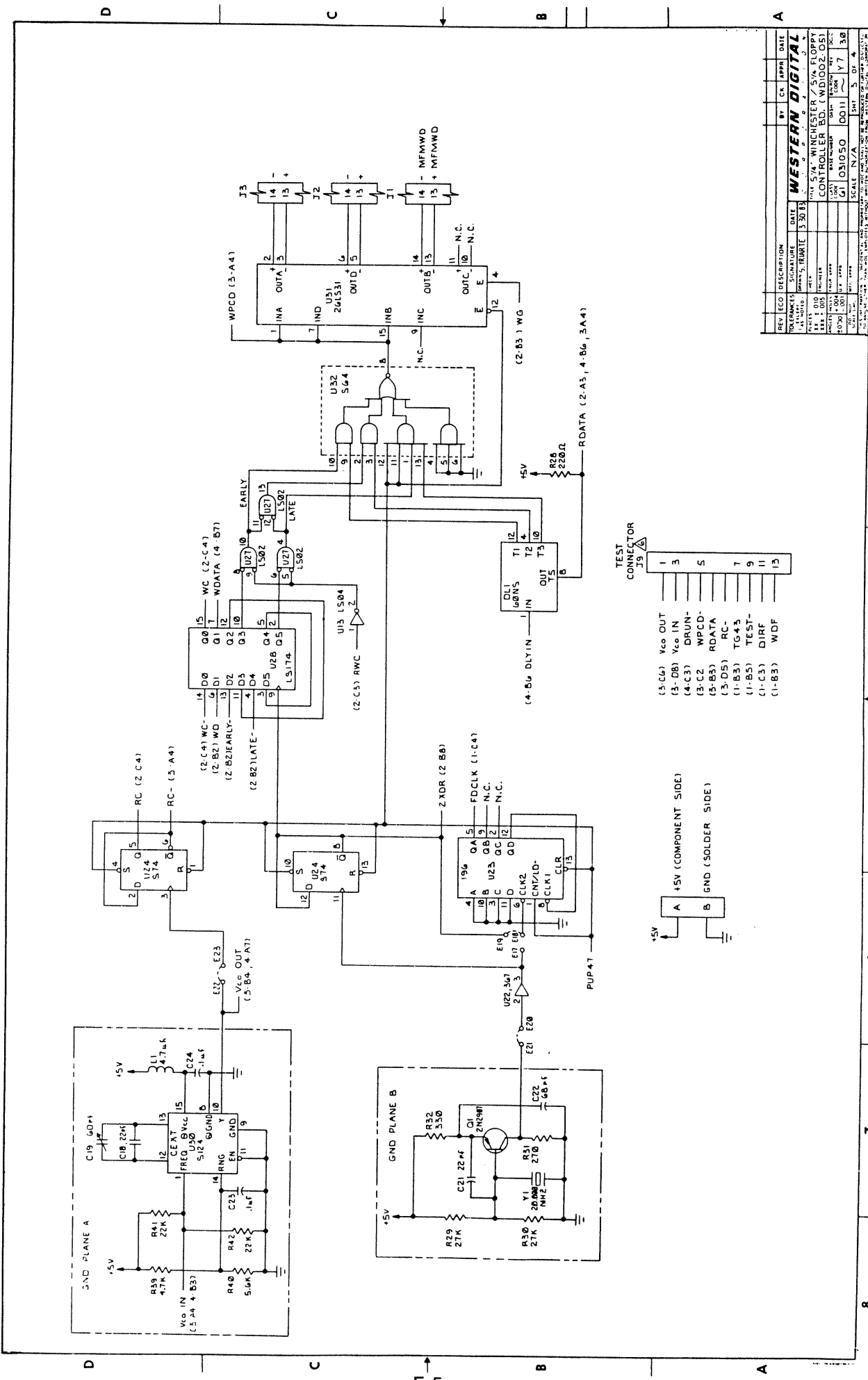


REV	DATE	BY	CHK	APP'D	DATE
1	4/14/83	W. J. W.			
2	4/14/83	W. J. W.			
3	4/14/83	W. J. W.			
4	4/14/83	W. J. W.			
5	4/14/83	W. J. W.			
6	4/14/83	W. J. W.			
7	4/14/83	W. J. W.			
8	4/14/83	W. J. W.			
9	4/14/83	W. J. W.			
10	4/14/83	W. J. W.			
11	4/14/83	W. J. W.			
12	4/14/83	W. J. W.			
13	4/14/83	W. J. W.			
14	4/14/83	W. J. W.			
15	4/14/83	W. J. W.			
16	4/14/83	W. J. W.			
17	4/14/83	W. J. W.			
18	4/14/83	W. J. W.			
19	4/14/83	W. J. W.			
20	4/14/83	W. J. W.			
21	4/14/83	W. J. W.			
22	4/14/83	W. J. W.			
23	4/14/83	W. J. W.			
24	4/14/83	W. J. W.			
25	4/14/83	W. J. W.			
26	4/14/83	W. J. W.			
27	4/14/83	W. J. W.			
28	4/14/83	W. J. W.			
29	4/14/83	W. J. W.			
30	4/14/83	W. J. W.			
31	4/14/83	W. J. W.			
32	4/14/83	W. J. W.			
33	4/14/83	W. J. W.			
34	4/14/83	W. J. W.			
35	4/14/83	W. J. W.			
36	4/14/83	W. J. W.			
37	4/14/83	W. J. W.			
38	4/14/83	W. J. W.			
39	4/14/83	W. J. W.			
40	4/14/83	W. J. W.			
41	4/14/83	W. J. W.			
42	4/14/83	W. J. W.			
43	4/14/83	W. J. W.			
44	4/14/83	W. J. W.			
45	4/14/83	W. J. W.			
46	4/14/83	W. J. W.			
47	4/14/83	W. J. W.			
48	4/14/83	W. J. W.			
49	4/14/83	W. J. W.			
50	4/14/83	W. J. W.			

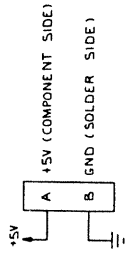
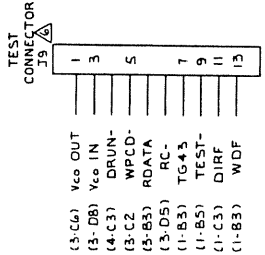
WESTERN DIGITAL
 DATE: 4/14/83
 DRAWN BY: W. J. W.
 CHECKED BY: W. J. W.
 APPROVED BY: W. J. W.
 SCALE: 1:1
 SHEET: 1 OF 1



REV	ECO	DESCRIPTION	BY	DATE
1		5 1/4 WINCHESTER / 5 1/4 FLOPPY CONTROLLER BOARD (WDI02 05)	WESTERN DIGITAL	4/5/83
2				
3				
4				
5				
6				
7				
8				

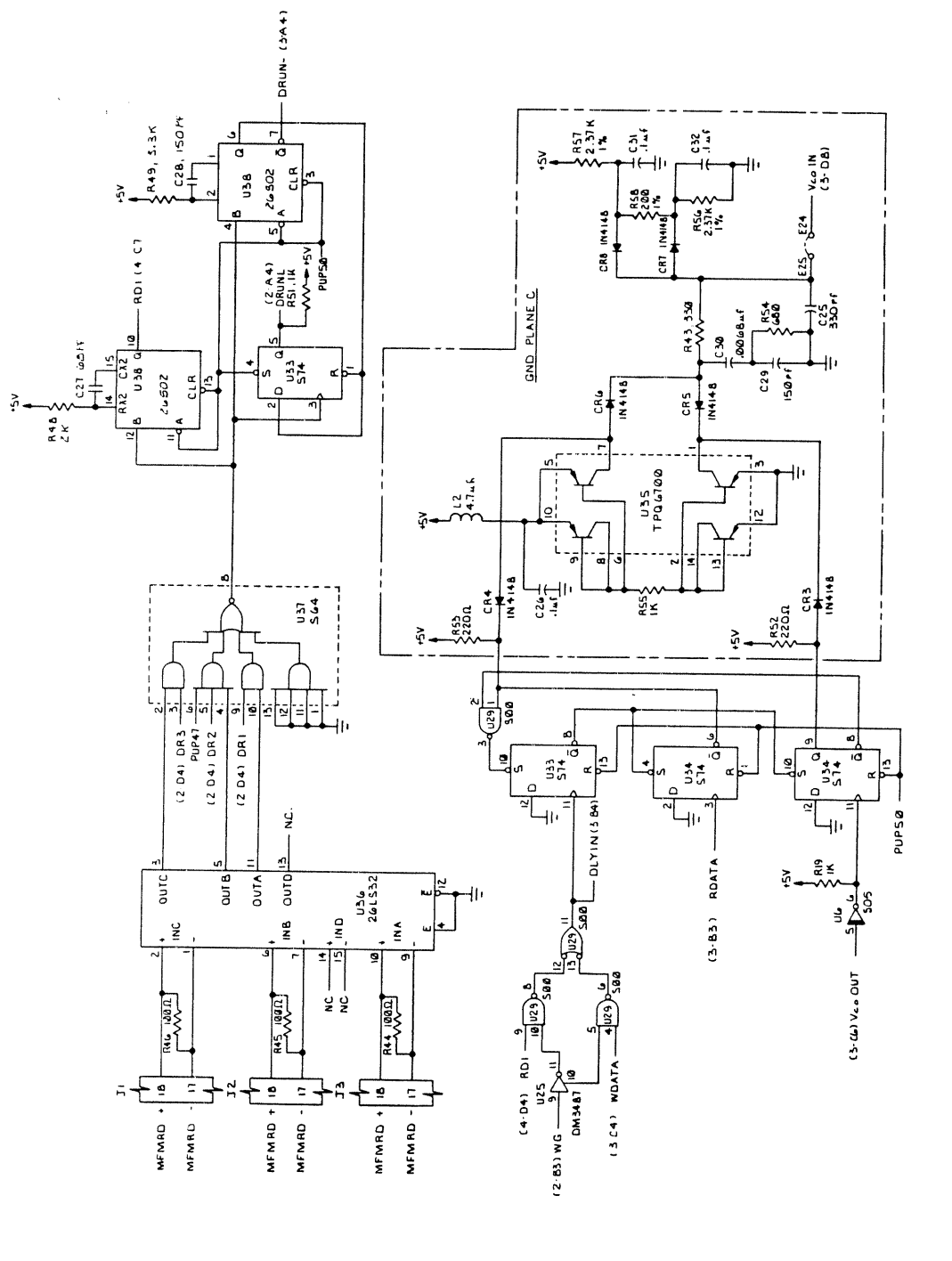


REV	ECO	DESCRIPTION	DATE	BY	CHK	APPR	DATE
1		INITIAL DESIGN	3/20/78				
2		REVISED TO ADD TEST POINTS	3/20/78				
3		REVISED TO ADD TEST POINTS	3/20/78				
4		REVISED TO ADD TEST POINTS	3/20/78				
5		REVISED TO ADD TEST POINTS	3/20/78				
6		REVISED TO ADD TEST POINTS	3/20/78				
7		REVISED TO ADD TEST POINTS	3/20/78				
8		REVISED TO ADD TEST POINTS	3/20/78				
9		REVISED TO ADD TEST POINTS	3/20/78				
10		REVISED TO ADD TEST POINTS	3/20/78				
11		REVISED TO ADD TEST POINTS	3/20/78				
12		REVISED TO ADD TEST POINTS	3/20/78				
13		REVISED TO ADD TEST POINTS	3/20/78				
14		REVISED TO ADD TEST POINTS	3/20/78				
15		REVISED TO ADD TEST POINTS	3/20/78				
16		REVISED TO ADD TEST POINTS	3/20/78				
17		REVISED TO ADD TEST POINTS	3/20/78				
18		REVISED TO ADD TEST POINTS	3/20/78				
19		REVISED TO ADD TEST POINTS	3/20/78				
20		REVISED TO ADD TEST POINTS	3/20/78				
21		REVISED TO ADD TEST POINTS	3/20/78				
22		REVISED TO ADD TEST POINTS	3/20/78				
23		REVISED TO ADD TEST POINTS	3/20/78				
24		REVISED TO ADD TEST POINTS	3/20/78				
25		REVISED TO ADD TEST POINTS	3/20/78				
26		REVISED TO ADD TEST POINTS	3/20/78				
27		REVISED TO ADD TEST POINTS	3/20/78				
28		REVISED TO ADD TEST POINTS	3/20/78				
29		REVISED TO ADD TEST POINTS	3/20/78				
30		REVISED TO ADD TEST POINTS	3/20/78				
31		REVISED TO ADD TEST POINTS	3/20/78				
32		REVISED TO ADD TEST POINTS	3/20/78				
33		REVISED TO ADD TEST POINTS	3/20/78				
34		REVISED TO ADD TEST POINTS	3/20/78				
35		REVISED TO ADD TEST POINTS	3/20/78				
36		REVISED TO ADD TEST POINTS	3/20/78				
37		REVISED TO ADD TEST POINTS	3/20/78				
38		REVISED TO ADD TEST POINTS	3/20/78				
39		REVISED TO ADD TEST POINTS	3/20/78				
40		REVISED TO ADD TEST POINTS	3/20/78				
41		REVISED TO ADD TEST POINTS	3/20/78				
42		REVISED TO ADD TEST POINTS	3/20/78				
43		REVISED TO ADD TEST POINTS	3/20/78				
44		REVISED TO ADD TEST POINTS	3/20/78				
45		REVISED TO ADD TEST POINTS	3/20/78				
46		REVISED TO ADD TEST POINTS	3/20/78				
47		REVISED TO ADD TEST POINTS	3/20/78				
48		REVISED TO ADD TEST POINTS	3/20/78				
49		REVISED TO ADD TEST POINTS	3/20/78				
50		REVISED TO ADD TEST POINTS	3/20/78				
51		REVISED TO ADD TEST POINTS	3/20/78				
52		REVISED TO ADD TEST POINTS	3/20/78				
53		REVISED TO ADD TEST POINTS	3/20/78				
54		REVISED TO ADD TEST POINTS	3/20/78				
55		REVISED TO ADD TEST POINTS	3/20/78				
56		REVISED TO ADD TEST POINTS	3/20/78				
57		REVISED TO ADD TEST POINTS	3/20/78				
58		REVISED TO ADD TEST POINTS	3/20/78				
59		REVISED TO ADD TEST POINTS	3/20/78				
60		REVISED TO ADD TEST POINTS	3/20/78				
61		REVISED TO ADD TEST POINTS	3/20/78				
62		REVISED TO ADD TEST POINTS	3/20/78				
63		REVISED TO ADD TEST POINTS	3/20/78				
64		REVISED TO ADD TEST POINTS	3/20/78				
65		REVISED TO ADD TEST POINTS	3/20/78				
66		REVISED TO ADD TEST POINTS	3/20/78				
67		REVISED TO ADD TEST POINTS	3/20/78				
68		REVISED TO ADD TEST POINTS	3/20/78				
69		REVISED TO ADD TEST POINTS	3/20/78				
70		REVISED TO ADD TEST POINTS	3/20/78				
71		REVISED TO ADD TEST POINTS	3/20/78				
72		REVISED TO ADD TEST POINTS	3/20/78				
73		REVISED TO ADD TEST POINTS	3/20/78				
74		REVISED TO ADD TEST POINTS	3/20/78				
75		REVISED TO ADD TEST POINTS	3/20/78				
76		REVISED TO ADD TEST POINTS	3/20/78				
77		REVISED TO ADD TEST POINTS	3/20/78				
78		REVISED TO ADD TEST POINTS	3/20/78				
79		REVISED TO ADD TEST POINTS	3/20/78				
80		REVISED TO ADD TEST POINTS	3/20/78				
81		REVISED TO ADD TEST POINTS	3/20/78				
82		REVISED TO ADD TEST POINTS	3/20/78				
83		REVISED TO ADD TEST POINTS	3/20/78				
84		REVISED TO ADD TEST POINTS	3/20/78				
85		REVISED TO ADD TEST POINTS	3/20/78				
86		REVISED TO ADD TEST POINTS	3/20/78				
87		REVISED TO ADD TEST POINTS	3/20/78				
88		REVISED TO ADD TEST POINTS	3/20/78				
89		REVISED TO ADD TEST POINTS	3/20/78				
90		REVISED TO ADD TEST POINTS	3/20/78				
91		REVISED TO ADD TEST POINTS	3/20/78				
92		REVISED TO ADD TEST POINTS	3/20/78				
93		REVISED TO ADD TEST POINTS	3/20/78				
94		REVISED TO ADD TEST POINTS	3/20/78				
95		REVISED TO ADD TEST POINTS	3/20/78				
96		REVISED TO ADD TEST POINTS	3/20/78				
97		REVISED TO ADD TEST POINTS	3/20/78				
98		REVISED TO ADD TEST POINTS	3/20/78				
99		REVISED TO ADD TEST POINTS	3/20/78				
100		REVISED TO ADD TEST POINTS	3/20/78				



1 2 3 4 5 6 7 8

NOTES: ∇ J1 & J1 GND PINS: 1,3,7,9,11,15,17,19,21,23,25, 27,29,31,33.
 ∇ J5 GND PINS: 2-4 (EVEN PIN ONLY)
 3. J1 J2 J3 GND PINS: 2,4,6,8,10,12,15,16,18,20. UNLESS OTHERWISE SPECIFIED.
 4. ALL RESISTOR VALUES ARE IN OHMS UNLESS OTHERWISE SPECIFIED.
 5. ADD .1 μ F CAP FROM ALL IC V_{CC} TO GND.
 ∇ J3 GND PINS: 9,10,12,13,14,15,16.
 ∇ CAP 5/B PHYSICALLY CLOSE TO CHIP.



REV	ECO	DESCRIPTION	BY	CR	APPR	DATE
1		INITIALS				
2		SIGNATURE				
3		DATE				
4		SCALE				
5		UNIT				
6		INCHES				
7		FEET				
8		SCALE				
9		UNIT				
10		INCHES				
11		FEET				
12		SCALE				
13		UNIT				
14		INCHES				
15		FEET				
16		SCALE				
17		UNIT				
18		INCHES				
19		FEET				
20		SCALE				
21		UNIT				
22		INCHES				
23		FEET				
24		SCALE				
25		UNIT				
26		INCHES				
27		FEET				
28		SCALE				
29		UNIT				
30		INCHES				
31		FEET				
32		SCALE				
33		UNIT				
34		INCHES				
35		FEET				
36		SCALE				
37		UNIT				
38		INCHES				
39		FEET				
40		SCALE				
41		UNIT				
42		INCHES				
43		FEET				
44		SCALE				
45		UNIT				
46		INCHES				
47		FEET				
48		SCALE				
49		UNIT				
50		INCHES				

WESTERN DIGITAL
 4800 RIVER BLVD., REDWOOD CITY, CALIF. 94063
 (415) 336-2000
 SCALE: N/A
 UNIT: 4 OF 4